

Installation & Operation Manual



Waste Oil Heater Models:

EL-140H, EL-200H, and EL-350H

115V/60Hz



Designed to save. Built to last.™

Caution!

Before you begin installation and operation of your furnace, read this manual completely, and save it for future reference!

IMPROPER INSTALLATION, OPERATION, OR MAINTENANCE OF THE FURNACE SYSTEM CAN CREATE HAZARDOUS CONDITIONS AND WILL VOID THE WARRANTY AND U.L. LISTING.

- This furnace is UL listed for commercial and industrial use only.
- Refer to Section 1 for safety information and precautions.
- Installation of the unit shall be made in accordance with all state and local codes which may differ from information provided in this manual. Installations in Canada shall be in accordance with the regulations of authorities having jurisdiction and installation practice shall be made according to CSA standard B139, Installation Code for Oil Burning Equipment.
- Product improvements are occurring regularly, so the products may vary slightly from what is shown in this manual.
- If you have any questions or concerns during the installation or operation of the furnace, contact your local service representative or EnergyLogic Technical Support.

Thank you for purchasing an EnergyLogic furnace. Record your Unit I.D. number below for future reference. Please register your unit to activate the warranty by visiting EnergyLogic's website at www.energylogic.com/register or clicking the QR code. If you have any issues with registering, please contact us at the number below.

Unit I.D. #:

(Seven-digit number located on the bottom of the furnace)

Installed By:

(Service Company, Address, Contact Name, Phone Number)

Date of Installation:



Table of Contents

Before you begin	i
Table of Contents.....	ii
1. Safety, Codes and Regulations.....	1
1.1 Conventions Used in this Manual.....	1
1.2 General Warnings.....	2
1.3 Safety Hazards.....	2
1.4 Codes and Regulations.....	4
1.5 Fuels and Fuel Management.....	5
1.5.1 Fuels.....	5
1.6 Clearances to Combustible Surfaces.....	6
2. Installation Considerations.....	7
2.1 Technical Guidelines.....	7
2.2 Tools Required.....	8
2.3 Furnace Placement Guide.....	8
3. Assembly and Installation – Cabinet, Tank, Pump and Suction Fuel Line.....	10
3.1 Unpacking and Inspection.....	10
3.2 Warranty Registration.....	10
3.3 Furnace Cabinet Installation – On an EL Tank.....	12
3.3.1 Locate the EnergyLogic Used Oil Storage Tank.....	12
3.3.2 Tank Stands and Cabinet Installation (250 gallon tank shown).....	12
3.4 Furnace Cabinet Installation – Not Mounted on a Tank.....	14
3.4.1 Ceiling Mount with Threaded Rod.....	14
3.4.2 Wall Mount with Optional Brackets.....	15
3.5 Preparing the EnergyLogic Used-Oil Tank.....	16
3.5.1 Tank Vent Installation – EnergyLogic Tanks.....	16
3.5.2 Drain Valve Installation – EnergyLogic Tanks.....	16
3.5.3 Low Fuel Cutoff Switch – EnergyLogic Tanks.....	16
3.6 Fuel Metering Pump and Filter Installation – EnergyLogic Tank (continue to section 3.7 if you don't have EL tank).....	17
3.6.1 Fire Stop Valve and Filter Head Installation – EL Tank.....	17
3.6.2 Metering Pump Installation – EL Tank.....	17

3.6.3 Pump Tubing Installation – EL Tank.....	18
3.7 Metering Pump Installation – Non-EL Tank (skip if you have EL tank)	19
4. Installation of Furnace Components.....	20
4.1 Blower Assembly Installation	20
4.2 Burner/Preheater Assembly.....	22
4.3 Burner/Cabinet Assembly	23
4.4 Pump Outlet Tubing Installation.....	24
4.4.1 Pump Outlet Tubing Installation	24
4.4.2 Pump Outlet Tubing Installation – Ceiling or Wall Mounted Furnace (skip if you have a tank mounted furnace).....	25
5. Exhaust Flue System Installation	26
5.1 Barometric Damper Tee Installation.....	26
5.2 Flue Piping Installation.....	26
5.3 Draft Gauge Installation (included with some packages).....	29
6. Electrical System Installation.....	30
6.1 Wall Thermostat	30
6.2 Fuel Pump Power Connection	32
6.3 Main Electrical Connection	33
7. Startup and Operation.....	34
7.1 Do's and Don'ts/Tech Tips.....	34
7.2 Burner Primary Control Operation.....	34
7.3 Safety Systems and Warnings.....	35
7.4 Furnace Startup.....	37
7.4.1 Fuel System Priming	38
7.4.2 Starting the Furnace.....	39
7.4.3 Burner System Checkout	40
7.5 Everyday Operation of Your EnergyLogic Used Oil Furnace.....	43
8. Maintenance	44
8.1 Service Contracts	45
8.2 Safety Warnings – Lockout/Tagout	45
8.3 Monitoring System Performance over Time	45
8.4 Maintenance Schedule and Parts	45
8.5 Maintenance Procedures.....	47
8.5.1 Heat Exchanger Cleaning	47
8.5.2 Blower Cleaning	51

8.5.3 Fuel Oil Filter Replacement.....	52
8.5.4 Preheater Cleaning	53
8.5.5 Nozzle Line Assembly Cleaning	56
8.5.6 Retention Head and Electrode Settings.....	59
8.5.7 Solenoid Valve Cleaning	61
8.5.8 Air Compressor Maintenance	63
8.6 Seasonal Shut Down & Start Up	65
9. Troubleshooting	66
9.1 Troubleshooting Condition Table	67
9.2 Troubleshooting Trees.....	68
9.3 Testing Procedures	71
9.3.1 Wall Thermostat Testing	71
9.3.2 Blower Assembly Testing	72
9.3.3 Cad Cell Testing.....	73
9.3.4 Metering Pump Assembly Testing	74
9.3.5 Preheater and Nozzle PTC Testing Procedure.....	76
9.3.6 Primary Control Testing.....	78
9.3.7 Solenoid Valve Testing.....	79
9.3.8 Top Suction Kit Testing	80
9.3.9 Iron Core Transformer Testing	81
9.3.10 Fan and Limit Controller Testing	83
10. Appendices	84
10.1 Furnace Wiring and Oil Schematic.....	84
10.2 Carlin 50200E Primary Control	86
10.3 Furnace Specifications	88
10.4 Limited Warranty	93

1. Safety, Codes and Regulations

Thank you for the purchase of an EnergyLogic used oil furnace. EnergyLogic furnaces are designed and tested for safe, reliable long term operation. However, proper installation, fuel quality control, and regular maintenance are required. Please read and understand this manual completely before attempting to install, operate, or service the furnace. Post this instruction manual and maintain it in legible condition. If you have any questions, call your local service provider or the number below for EnergyLogic Technical Service.

1.1 Conventions Used in this Manual

For your safety, this manual uses the following definitions and signal words to identify hazards:

⚠ DANGER **Danger:** Indicates an imminently hazardous situation which, if not avoided, will result in death or serious injury. This signal word is limited to the most extreme situations.

⚠ WARNING **Warning:** Indicates a potentially hazardous situation which, if not avoided, could result in death or serious injury.

⚠ CAUTION **Caution:** Indicates a potentially hazardous situation which, if not avoided, may result in minor or moderate injury. It may also be used to alert against unsafe practices.

CAUTION **Caution (without alert symbol):** Indicates an unsafe practice which, if not avoided, may result in product or property damage. Also used for general alerts.

Product safety labels and their meaning (labels not used on all products):



Electrical Shock / Electrocutation



Hand Crush / Force From Side



Flammable Material



Explosion



Burn Hazard / Hot Surface



Explosion / Release of Pressure

1.2 General Warnings

- **⚠ WARNING** The EnergyLogic burner is to be used only in the EnergyLogic furnace provided. Do not attempt to use the burner for other purposes.
- **⚠ WARNING** Do not tamper with the unit or controls – call your service technician.
- **⚠ WARNING** Do not attempt to use unit with broken or damaged components.
- **⚠ CAUTION** If you are intending to use the furnace with existing building ductwork, make sure that the requirements are met for allowable external static pressure (see specification table in appendix).
- **⚠ WARNING** Do not allow unqualified personnel to install or service the furnace, electrical system, or flue system. Contact EnergyLogic for help with finding a qualified installation and service company. Failure to install and maintain your heater properly will void your warranty and the UL listings.
- **⚠ WARNING** Do not attempt to start the burner when excess oil has accumulated, when the furnace is full of vapor, or when the combustion chamber is very hot.
- **⚠ WARNING** Do not start the burner unless all cleanout panels are secure in place.
- **⚠ CAUTION** KEEP THE FUEL VALVE NEAREST THE SUPPLY TANK CLOSED WHEN THE BURNER IS SHUT OFF FOR EXTENDED PERIODS.
- **⚠ CAUTION** Turn off power to the burner when the burner is off for extended periods.
- **⚠ WARNING** The furnace is designed to be installed above head height, or in a manner that restricts access.
- **⚠ CAUTION** USED OILS CONTAIN HEAVY METALLIC COMPOUNDS AND FOREIGN MATERIALS. WHEN BURNED, THESE COMPOUNDS ARE EMITTED FROM OR DEPOSITED WITHIN THIS HEATING APPLIANCE AND THEREFORE CARE SHOULD BE TAKEN WHEN USING, CLEANING AND MAINTAINING THIS EQUIPMENT.
- **⚠ CAUTION** EnergyLogic recommends that the building have a secondary heat source during times the furnace is down for maintenance or service. Used oil furnaces require maintenance. Also, used oil may sometimes be unavailable or burn poorly due to contaminants in the oil. The heat from the secondary heater should be directed away from the furnace.

1.3 Safety Hazards

There are potential hazards associated with operation of this or any other furnace. In addition to the codes and regulations listed in the following section, general safety rules and the precautions should be followed at all times to prevent accidents that could lead to personal injury, death or property damage. Only those qualified should perform the tasks. Specific safety hazards include:

⚠ DANGER Electricity: The EnergyLogic furnace operates on 115V/60Hz electrical power. Turn power off at the circuit breaker and lock it out prior to performing any work on the furnace

system or any of the components. Make sure covers are in place during normal use. Use only copper conductors.

⚠ WARNING Liquid Fuels: Used oils must be handled properly to prevent spills. Uncontained oil leaks may contaminate the local water supply. Ensure that all national and local codes are followed in regards to the requirements for spill containment and SPCC paperwork. Oil leaks pose slip/fall hazards, and pose a risk for fires. **DO NOT USE GASOLINE OR ANY OIL CONTAINING GASOLINE.** Do not add any cleaning fluids or oil additives to the used oil burned in this appliance. The use of unauthorized fuels will void the warranty and U.L. listing. See section 1.5.1 for a list of allowable fuels. The end user of the furnace is responsible for ensuring that all correct precautions are taken in managing their used oil.

⚠ WARNING Combustion Exhaust Gases: The exhaust products from the combustion are dangerous to breathe. The furnace must be attached to a flue which properly vents the exhaust out of the building to the atmosphere at all times, to assure safe and proper operation of the burner. If proper draft cannot be established, changes to the building construction or a draft inducer will be required in order to provide adequate make-up air.

⚠ CAUTION Safe Maintenance: Used oil contains mineral additives and deposits called “ash” that will not burn. Ash collects in the furnace and flue with regular use over time. Ash must be cleaned out of the combustion chamber/heat exchanger and flue pipe on a scheduled basis. Follow the minimum maintenance instructed in section 8. Wear proper protective clothing; including gloves and face mask or respirator whenever any cleaning is performed, including the cleaning of the heat exchanger, flue piping and exhaust stack.

⚠ WARNING Vapor/Dust Ignition: Do not store or use gasoline or other flammable liquids or vapors near this furnace, as they may be ignited by the burner. Do not operate the furnace in dusty or otherwise dangerous environments.

⚠ WARNING Flammable liquids: Do not create a fire or explosion hazard by using or placing flammable liquids such as gasoline or solvents near the furnace. A flammable liquid is any liquid that has a closed-cup flash point below 100°F (37.8°C), as determined by the test procedures and apparatus set forth in 1.7.4 of NFPA 30.

⚠ WARNING Minimum Clearance – Safe clearance to combustibles (Section 1.6) shall be adhered to.

⚠ WARNING Height, Weight, Guarding and General Safe Practices: The furnaces are installed at heights which pose a risk for injuries due to a fall. Many of the components are heavy, and pose the risk of injury with improper lifting and handling. Always follow safe practices and use proper equipment. Never climb on the equipment. Do not take risks when installing or servicing the equipment. All cover plates, enclosures, and guards must be maintained in place at all times, except during maintenance and servicing. Failure to observe general safety rules and to follow safety rules specific to the tools and equipment used or being worked on may result in product/property damage, personal injury or death.

1.4 Codes and Regulations

The installation, operation, and maintenance of the furnace system in the United States must be performed by qualified personnel in accordance with this manual and all national, state, and local codes / regulations, as well as the following standards of the National Fire Protection Association (NFPA):

NFPA 31	Standard for the Installation of Oil Burning Equipment
NFPA 30	Flammable and Combustible Liquids Code
NFPA 30A	Code for Motor Fuel Dispensing Facilities and Repair Garages
NFPA 70	National Electric Code
NFPA 88A	Standard for Parking Structures
NFPA 88B	Standard for Repair Garages
NFPA 211	Standard for Chimneys, Fireplaces, Vents and Solid Fuel Burning Appliances

These standards are available from the NFPA at www.nfpa.org.

Similarly, the installation, operation, and maintenance of the furnace system in Canada must be performed by qualified personnel in accordance with this manual and in accordance with all the regulation authorities having jurisdiction, as well as CSA Standard B 139, Installation Code for Oil Burning Equipment. Electrical installation in Canada shall be in accordance with the Canadian Electrical Code, Part I. CSA standards are available at www.csa.ca.

A qualified installer is an individual or agency who is responsible for the installation and adjustment of the equipment and who is properly trained and licensed to install oil burning equipment in accordance with all codes and ordinances.

In the United States, make sure you comply with all EPA regulations concerning the gathering and storing of used oil, and operation of the furnace. Specifically, CFR Title 40 Part 279 covers managing used oil. As well, make sure you comply with local codes and regulations.

In Canada, only used oil generated on the premises of the owner may be used in this equipment unless written authorization is obtained from the regulatory authority. Comply with Canadian regulations regarding the management and storing of used oil, as well as any local codes and authorities having jurisdiction.

1.5 Fuels and Fuel Management

The furnace system is composed of several components and subsystems that work together for efficient and safe operation. In order for the system to function as designed, good fuel management practice must be followed.

1.5.1 Fuels

EnergyLogic furnaces are listed by Underwriters' Laboratories (U.L.) for the U.S. and Canada, operating on the following fuels:

- Used Crankcase Oil.
- Used Automatic Transmission Fluid.
- ASTM D396 No. 2 Fuel Oil.



DO NOT USE GASOLINE OR ANY OIL CONTAINING GASOLINE.

Fuel mixtures must have a minimum flash point of 140°F (60°C) and a maximum flash point of approximately 400°F (204°C). **NOTE:** A flash point below 400°F does not guarantee that the oil will burn successfully in EnergyLogic heaters.

⚠ WARNING Never mix inappropriate or hazardous material with the used oil. Examples of substances that should never be added include but are not limited to:

- New Crankcase Oil (Oil that has not been substantially used will not burn well.)
- Gasoline/Kerosene
- Brake Fluid/Power Steering Fluid (May contain boron that can cause sludge formation.)
- Hazardous Waste
- Anti-freeze/Water
- Carburetor Cleaner/Solvents
- Paint Thinner/Naphtha
- Any Chlorinated Material
- Oil Additives
- Vegetable Oils/Animal Fats

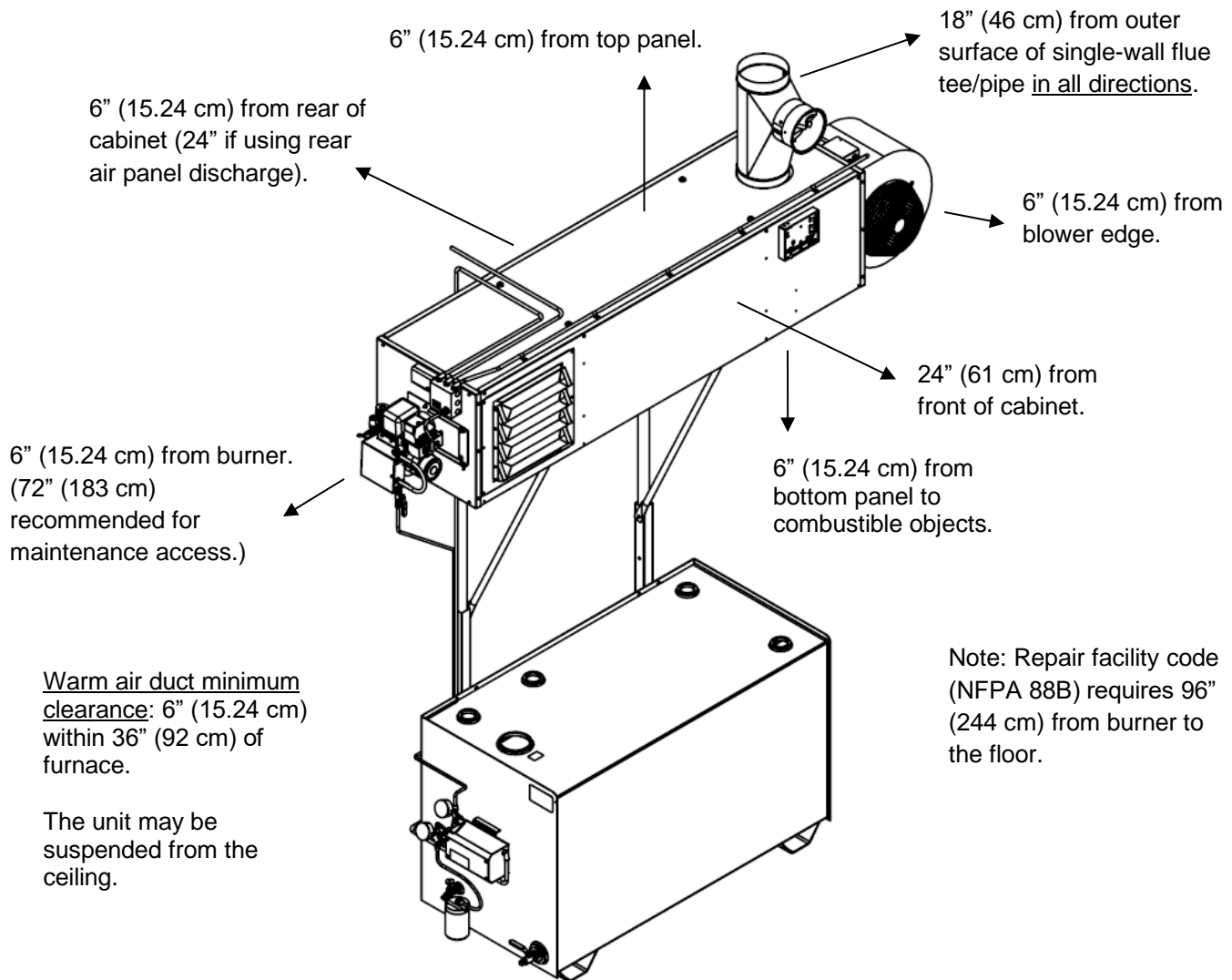
⚠ WARNING *The addition of inappropriate substances to the fuel is not approved and can lead to poor equipment performance, premature product failure, and/or explosive/hazardous conditions. Burning of fuels that contain unapproved substances will void the product warranty and the UL listing. If you have any question about what is contained in your used oil, it is your responsibility to have the oil analyzed prior to burning.*

Contact EnergyLogic Technical Services if you have questions about a particular fuel type, or if you need fuel analysis. For a nominal fee, EnergyLogic Technical Services will provide a professional fuel analysis. You will be provided with instructions in order to collect an oil sample to be sent out for analysis.

1.6 Clearances to Combustible Surfaces

⚠ WARNING It is of the utmost importance that the installation conforms to the minimum clearances to combustible surfaces (Material made of or surfaced with wood, compressed paper, plant fibers, plastics, or other material that can ignite and burn, whether flame proofed or not, or whether plastered or unplastered). Consult applicable codes and regulations for precedence. Non-compliance to minimum clearances may result in fire, explosion, personal injury or death. Minimum Clearances per U.L. Listing:

Top - 6", Front - 24", Sides - 6", Rear - 6", Flue Pipe (Single Wall) - 18", Bottom - 6", Warm air duct within 3' of furnace (when ducted) - 6"



Minimum Clearances to Combustible Surfaces

2. Installation Considerations

EnergyLogic furnaces are designed to operate reliably over a wide range of conditions. However, it is important to read this section before installation to prevent unnecessary work or problems.

2.1 Technical Guidelines

1. All components of your furnace are factory-tested to ensure proper operation. Do not tamper with controls.
2. Pre-assembled fittings are sealed with thread-locker sealant and do not require additional tightening.
3. Always supply power through a dedicated, hard-wired (copper only), 115VAC/60Hz circuit with a 25 Amp maximum breaker. Check local codes.
4. Do not use the provided thread-locker sealant on flare fittings. Use the provided sealant on all NPT threaded connections only.
5. Do not use Teflon tape on any connections. Loose strands may block small orifices, affecting unit operation or may damage components.
6. Route all fuel lines inside the building to prevent exposure to cold weather. If this is not practical, call EnergyLogic for application support.
7. Locate furnace and tank in a dry area that will be above 50°F (10°C) at all times.
8. If not installing the pump to an EnergyLogic Tank, mount it according to guidelines in the EnergyLogic Top Suction Kit packaging instructions.
9. Do not kink copper tubing. Route tubing as straight and vertical as possible (no loops) to avoid air pockets.
10. Remember to remove the blower shipping strap prior to installation.
11. Maximize vertical run of flue and minimize horizontal run. Allow access for clean-out.
12. Mount the wall thermostat to an interior wall. Do not allow it to hang by the wiring harness. Do not mount it to the furnace cabinet.
13. Do not allow your tank to run out of fuel. If the tank runs out of fuel, air and contamination will be introduced into the fuel delivery system. An EnergyLogic low-level cut off switch is recommended to prevent low fuel operation.
14. Never use compression fittings for tubing connections, as they will leak and cause the burner to shut down.
15. Care should be taken not to over-tighten or cross thread brass fittings.
16. Applying a thin film of anti-seize compound to cabinet side of burner gasket may reduce gasket sticking to cabinet when swinging burner open.
17. Another source of heat is recommended for periods when the furnace may be off-line for maintenance or for any other reason.

2.2 Tools Required

Below is a recommended list of tools and equipment that may be used to aid in the installation of EnergyLogic furnaces. This is a minimum list for a Tank-Mount system. Additional tools and equipment are required for other mounting methods.

Common Tools and Equipment

- 5/16" Combination Wrench
- 3/8" Combination Wrench
- 7/16" Combination Wrench
- 1/2" Combination Wrench
- 9/16" Combination Wrench
- 3/4" Combination Wrench
- 1-3/8" Combination Wrench
- Flat Blade Screwdriver
- 1/4" Hex Wrench or Driver
- Wire cutter to remove tie straps.
- Forklift or other lift device.
- Safety ladder or man lift.
- (Tools required for flue kit installation)

2.3 Furnace Placement Guide

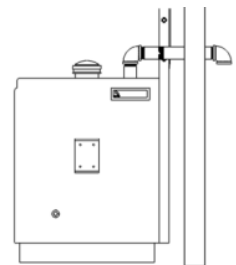
It is important to plan the furnace and tank placement, wiring, piping and flue prior to installation.

Electrical Wiring - Will the layout of your building allow safe routing and installation of electrical wiring to the furnace? Check your local building codes. The EnergyLogic furnace requires 115 VAC/60 Hz power, supplied through a dedicated, hard wired, circuit breaker – 25 Amp maximum. Use copper conductors only. **⚠ DANGER** *Electricity is very dangerous. Wiring must be installed by a qualified electrician. In the U.S., consult the National Electric Code (NEC) and local building codes for additional requirements. In Canada, consult the Canadian Electrical Code, Part I.*

Flue Pipe - Is ceiling/roof or wall location suitable for a flue pipe to pass through? Are any obstacles or flammable materials present at interior or exterior locations? Check your roof warranty about penetration for the flue pipe. Check your local building and fire codes.

Combustion and Make Up Air Requirements – It is necessary to ensure that adequate air for safe combustion is provided for oil-burning appliances and equipment. Refer to NFPA 31, chapter 5 for requirements based on the total input BTU rating of all appliances in the space. In Canada, reference CSA Standard B139/CGA B149.

Tanks - The oil tank is to be vented to the outside of the building. Oil temperature should be maintained at 50°F (10°C) and above. Tank shall be at least 5 feet away from any source of heat and should not obstruct service meters, electrical panels, or shut off valves. Check building, environmental and fire codes for containment and other restrictions.



Minimum Clearance – **⚠ WARNING** *Safe clearances to combustibles (Section 1.6) shall be adhered to.*

Distance from Flammable Liquids – **⚠ WARNING** Do not create a fire or explosion hazard by using or placing flammable liquids such as gasoline or solvents near the furnace. A *flammable liquid is any liquid that has a closed-cup flash point below 100°F (37.8°C), as determined by the test procedures and apparatus set forth in 1.7.4 of NFPA 30.*

Access - Position the used oil storage tank to provide adequate access to filling ports, filter, drain valve and pump. Leave an unobstructed path for shop vehicles and equipment. Consider access needed for service (heat exchanger cleaning, flue cleaning, removal of drip cap and baffle, burner access, etc.). If desired, the furnace can be wall mounted or hung from the ceiling at some distance from the oil tank.

Cabinet Orientation vs. Air Flow Direction – Consider the workspace to be heated. Consider proximity to windows, doors, etc. The EnergyLogic used oil furnace is designed such that the louver and cabinet panels may be swapped, and the cabinet can be rotated 180°. Consider whether or not this would be advantageous for your application. Contact EnergyLogic if louvers are needed on both sides.

Structural Requirements (Canada) – In Canada, the structure in which the used oil burning appliance is housed shall be no less than 4.6m (15ft) high at the point where the appliance is situated and have a minimum length and width of 6m (20ft) and a minimum floor area of 37m² (400ft²). In addition, the installation including flue stack height requirements and distance from property line shall be in accordance with the authorities having jurisdiction concerning environmental quality as well as fuel, fire, and electrical safety and Table 7 in CSA B140.0-03 (clause 22.3.2).

3. Assembly and Installation – Cabinet, Tank, Pump and Suction Fuel Line.

This section instructs installing the cabinet and the fuel metering pump.

3.1 Unpacking and Inspection

After unpacking your new furnace, make sure you have received the proper parts and quantities shown in the checklist on the following page. For missing parts, contact EnergyLogic. If any parts were damaged during shipment, please contact your shipping carrier.

3.2 Warranty Registration

IMPORTANT: You must register your furnace with EnergyLogic for the warranty to become active and to receive technical service.

Please take a few minutes to register your unit.

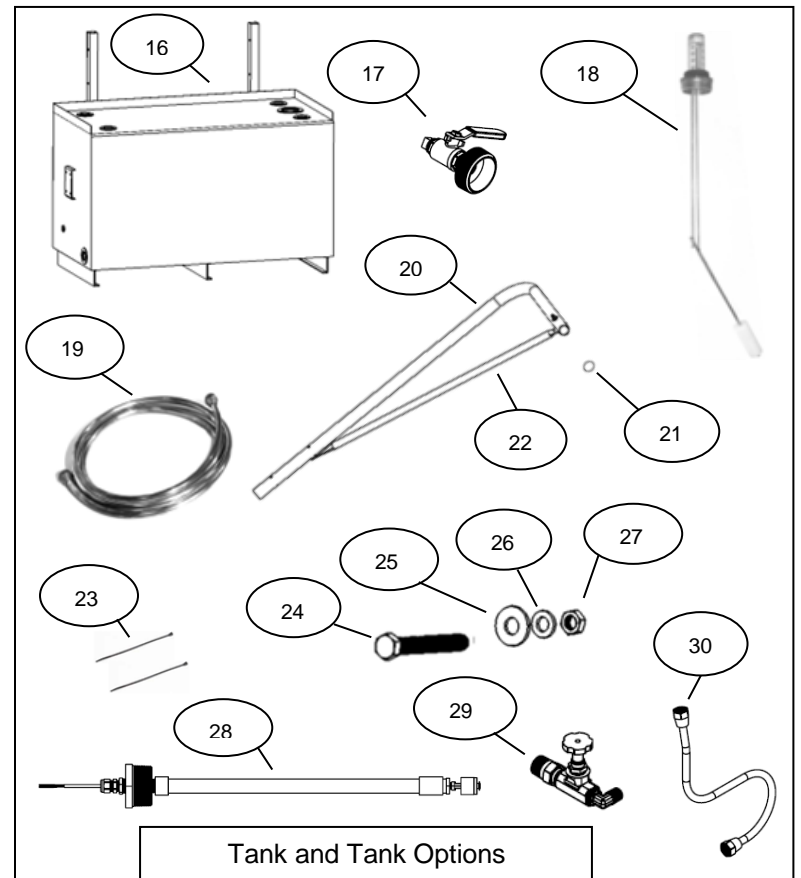
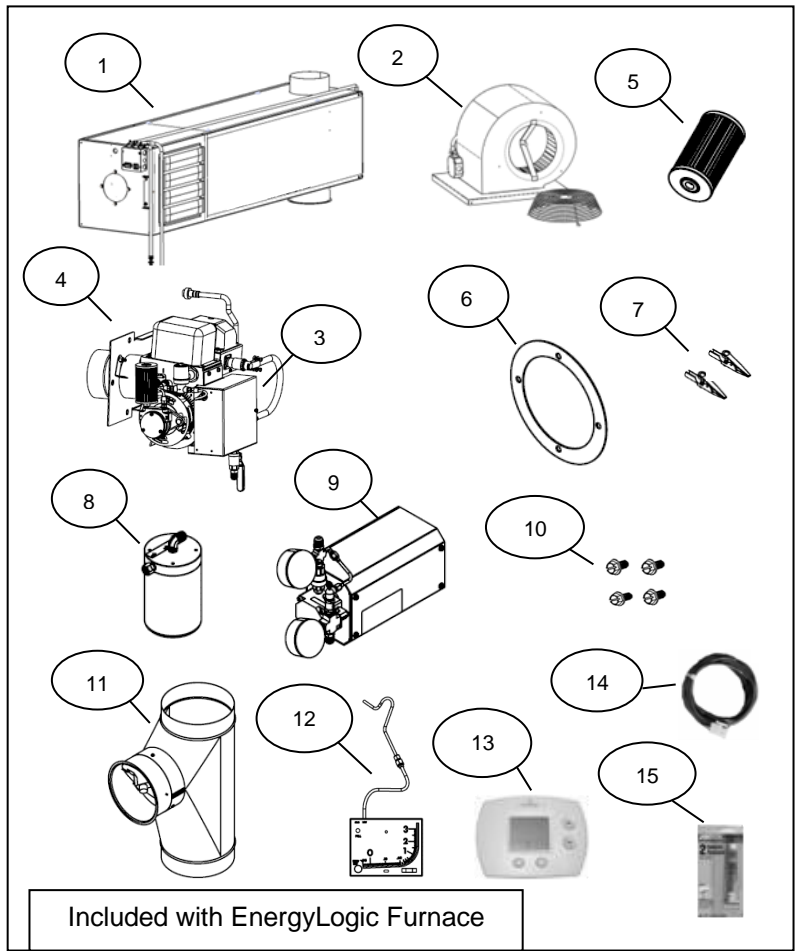
Note: You may register quickly and easily online at www.energylogic.com/register. The QR code below will take you to the website.



Also, check out EnergyLogic's technical support page for additional information and demonstration videos at www.energylogic.com/support:



		No.	Item	Qty.
Furnace Complete (minus flue kit)	Furnace Assembly	1	Furnace Cabinet Assembly	1
		2	Blower with Guard & Screws	1
		3	Preheater Assembly	1
		4	Burner Assembly	1
		5	Air Compressor Filter	1
		6	Burner Gasket	1
		7	Alligator Clips	2
		8	Filter Head and Fuel Filter	1
		9	Fuel Pump Assembly	1
		10	Pump Mounting Bolts	1
		11	Barometric Damper and Tee Assembly	1
		12	Draft Gauge and Probe (Provided with Bundles Only)	(1)
		13	Wall Thermostat (White - Standard, Black - Smart Stat)	1
		14	Wall Thermostat Harness (Two Cables for Smart Stat)	1
		15	Thread Sealant Tube	1
Furnace Complete (minus flue kit)	Tank Assy	16	EnergyLogic Workbench Tank	1
		17	Drain Valve Assembly	1
		18	Swing-Arm Fuel Gauge	1
Furnace Complete (minus flue kit)	Tank Mount Kit	19	3/8" Copper Discharge Line with Flare Nuts	1
		20	L-Shaped Tank Stands	2
		21	Tank Stand Plastic Caps	2
		22	Support Braces plus hardware (EL-350 Only)	2
		23	Cable Ties	2
		24	Bolts 3/8" x 4" (To Mount Stands)	4
		25	3/8" Flat Washers	8
		26	3/8" Lock Washers	4
		27	3/8" Nuts	4
		Furnace Complete (minus flue kit)	Side Suction Kit	28
29	FireStop Valve Assembly			1
30	3/8" Copper Suction Line with Flare Nuts			1



3.3 Furnace Cabinet Installation – On an EL Tank

Follow the directions in this section if you intend to mount the furnace to stands directly above the fuel tank. If you are mounting the furnace to a structural ceiling or wall proceed to Section 3.4. **CAUTION** Do not mount an EL-350H furnace to any EnergyLogic Tank smaller than 250 gallons.

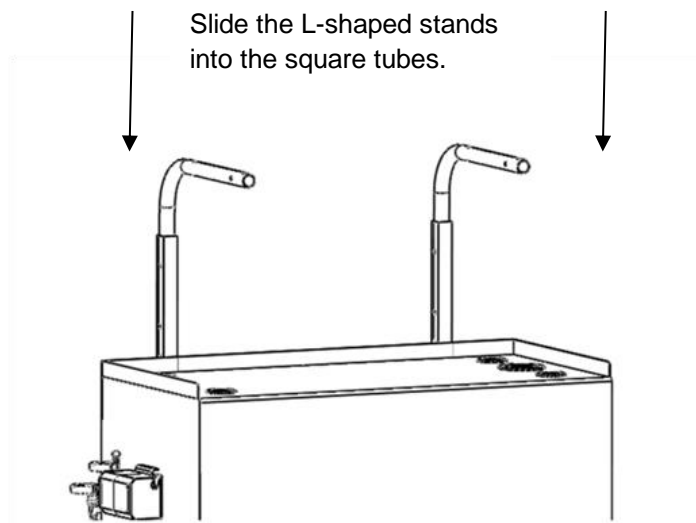
3.3.1 Locate the EnergyLogic Used Oil Storage Tank

EnergyLogic supplied workbench tanks are U.L. listed and pressure tested at the factory. However, new tanks must be leak tested by qualified installers prior to installation and use (refer to local codes and regulations). The tank must be located inside. If you are mounting the furnace to the tank, make sure that the tank is located beneath the desired location of the furnace. The tank must be on level flooring that will adequately support the full weight when loaded. Use a pallet jack or fork lift (on the bottom side of tank) to move the empty tank. Do not push or drag the tank. **WARNING** Maintain clearance from the tank to any source of heat (refer to local codes and regulations).

WARNING The furnace cabinet is heavy and will need to be lifted to a height of **8 feet** above the floor. Use appropriate lifting and safety equipment.

3.3.2 Tank Stands and Cabinet Installation (250 Gallon Tank Shown)

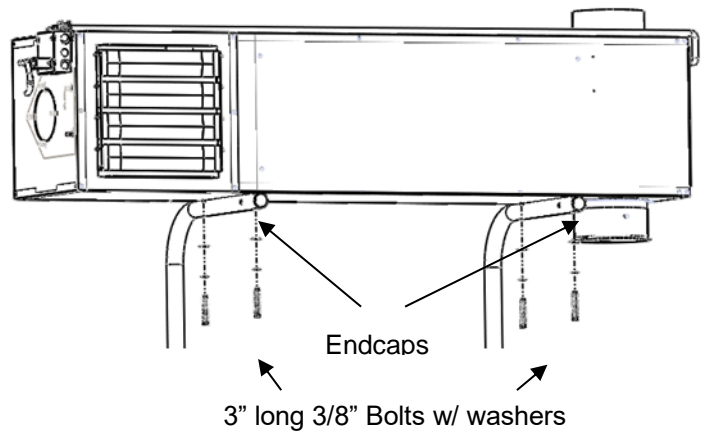
1. Locate the two large “L-shaped” Support Stands, and slide the long end of each into the square tubes on the rear of the tank. Slide the stands all the way to the bottom and do not install any bolts at this time.



Installation of support stands.

2. Inspect the furnace cabinet to make sure that the louvers for the heat output, the burner end, and the flue end are oriented as desired. If not, switch the louver panel on the front of the furnace with the blank panel that is on the rear of the furnace prior to installing the cabinet.

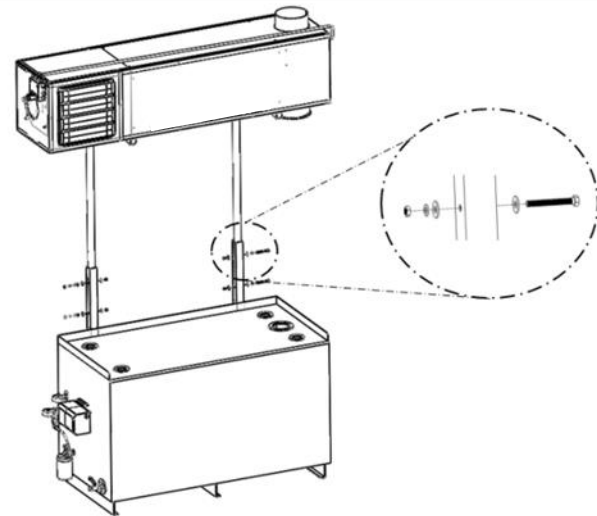
3. **⚠ WARNING HEAVY!** Using a forklift or other lifting device, lift the cabinet onto the stands. Position the lift forks close to the lower mounting bolts on the bottom panel, but leave enough room for tank stands. Continue to support the cabinet with the lifting device until all cabinet and support stand hardware have been properly secured.



Secure Cabinet to Stand Brackets

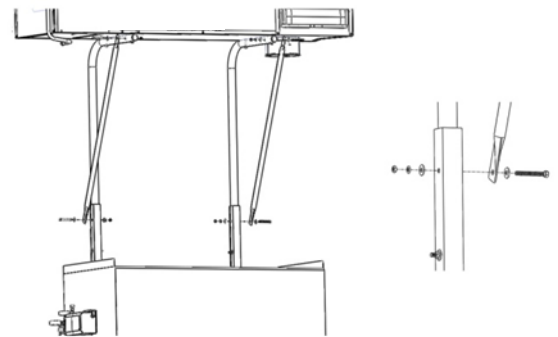
4. Remove the four (4) 3/8 inch x 3 inch bolts and washers from the bottom of the cabinet.
5. Align the holes in the stands with the holes in the cabinet and secure the cabinet to the stands using the same four (4) 3/8 inch x 3 inch bolts and flat washers.
6. Install the (2) plastic stand end caps by pressing them into the open tube ends.

7. **⚠ WARNING HEAVY!** Using the forklift or other lifting device, raise the cabinet and stands until the bolt holes are visible in the square tubing on the rear of the tank.
8. **EL-140H and EL-200H only:** Insert (4) 3/8 inch x 4 inch bolts with flat washers through the box tubing and stands (2 sets per side). Install flat washers, lock-washers, and then nuts onto the bolts and tighten (refer to figure).
9. **EL-350H only:** Insert (2) of the 3/8 inch x 4 inch bolts with flat washers through the lower holes only on the box tubing and stands (1 set per side). Install flat washers, lock-washers, and then nuts onto the bolts and tighten.



Secure Bolts on Tank Stand Brackets

10. **EL-350H only:** The 350 furnaces require two additional angle braces for support. These are shown in figure. Secure the braces using the remaining (4) 3/8" X 4" bolts, washers and nuts.
11. You have completed the Tank Bracket and Cabinet Assembly for a Tank Mount System. Proceed to Section 4 to install the furnace components.

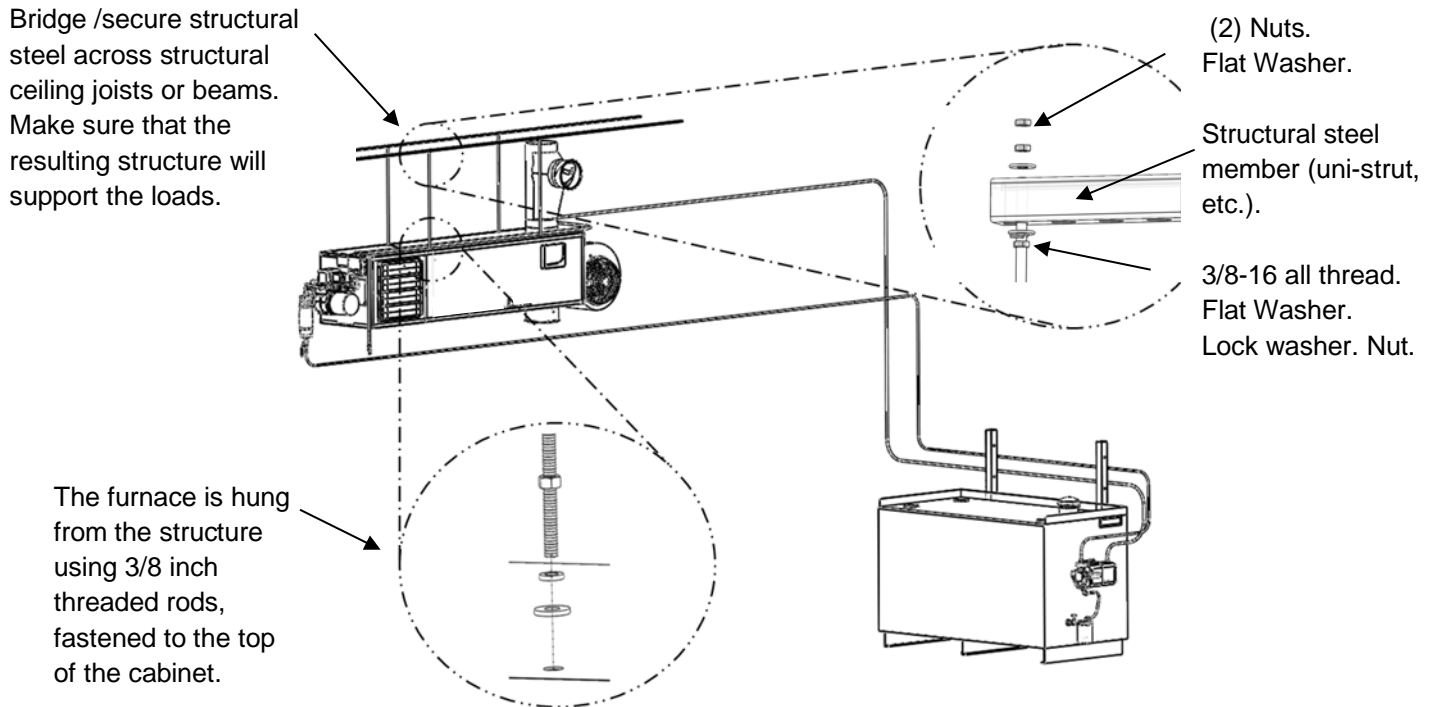


Install and secure braces (EL-340H and EL-350H only)

3.4 Furnace Cabinet Installation – Not Mounted on a Tank

3.4.1 Ceiling Mount with Threaded Rod

⚠ WARNING HEAVY! Use proper lift equipment. **⚠ WARNING** Combustible materials must not be near the furnace. See required clearances in Section 1.6.



Ceiling Mount (Actual installations vary)

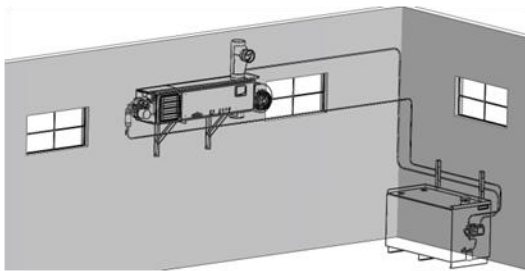
Ceiling Mount Steps (Refer to figure):

1. Determine the desired location of furnace. Determine the length of the 3/8" threaded rod (3/8 – 16) that will be used to hang the furnace. Measure the hole pattern on the top of the furnace (where existing 3/8" bolts are). This is your reference for rod spacing.
2. Hang 3/8" threaded rod (4 pieces) from a secure structure such as unistrut. Use flat washers, lock washers and nuts to secure the rods to the structural member. Leave the connection just hand-tight until the rod has been threaded into the furnace on the other end. Next, you will work on the other end of the rods (furnace end).
3. Turn nuts onto the this end of each threaded rod, keep turning until the nuts are several inches up the rod.
4. Using proper lift equipment, carefully lift the furnace cabinet to the desired location. Remove the existing 3/8" bolts from the top of the cabinet. Place a lock washer and flat washer on each rod, while you screw the threaded rod 1" (2.54 cm) into the threaded holes in the top of the cabinet. After threading the rods 1" into the top of the cabinet, tighten the nuts. Measure and note the level in both directions, and continue to the next step.

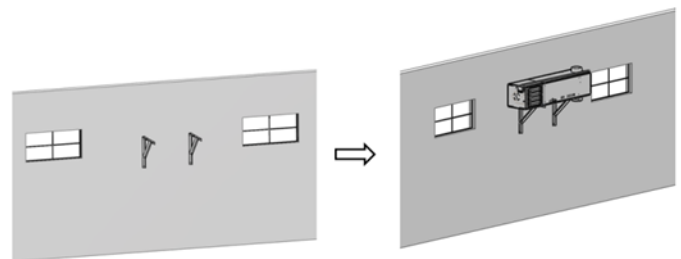
5. After all (4) rods have been secured into the top of the cabinet, return to the top of the rods at the ceiling support structure. Noting your level readings, adjust the furnace level using the top nuts to raise or lower each rod. Re-confirm that the furnace is level. Then, tighten the nuts to the structural steel members. Use jam nuts on top.
6. Check all fastened joints to assure that the structure and the hardware are secure.
7. An alternate method: Instead of hanging the furnace from the top fasteners, a supporting structure may be built beneath the furnace using structural steel (unistrut, angle iron). This structure may be hung from structural ceiling supports.

3.4.2 Wall Mount with Optional Brackets

⚠ WARNING HEAVY! Use proper lift equipment. **⚠ WARNING** Combustible materials must not be near the furnace.



Wall Mount Option (actual installations vary).



Steps to Wall Mount.

Wall Mount Steps (Refer to figures):

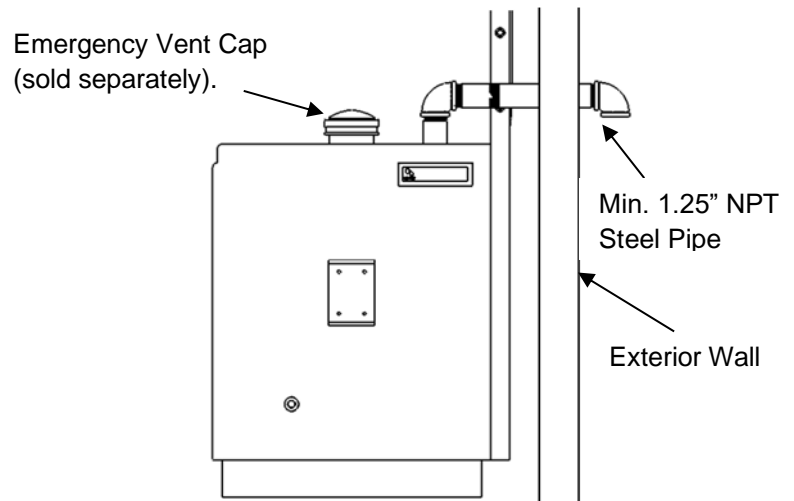
1. Determine the desired location and height of furnace. From this, plan the installation. Make a list of materials required. Pre-manufactured Wall Mount Brackets with the correct pitch for fastener holes and wall spacing are available from EnergyLogic. Call to order your parts.
2. Hang the EnergyLogic Wall Mount Brackets such that they are spaced 40 inches (101.6 cm) apart to match the hole pattern on the bottom or top of the cabinet. Hang the EnergyLogic Wall Mount Brackets directly to structural wall support only. If the wall does not have structural support in the location of the brackets, you may bridge across structural wall members using structural steel such as uni-strut and hang the brackets from the structural steel. The support structure must be strong enough to support the combined loads of furnace assembly and the flue structure. Check and level the brackets as necessary.
3. Using proper lift equipment, carefully lift the furnace cabinet (cabinet only – not including the burner or blower) onto the EnergyLogic Wall Mount Brackets. Remove the existing 3/8" bolts and washers from the bottom of the cabinet. Adjust the location of the cabinet such that the holes on the bottom of the cabinet align with the holes on the Mount Brackets. Using the 3/8" bolts and washers that were removed, mount the cabinet to the Mount Brackets.
4. Check all fastened joints to assure that the structure and the hardware are secure.

3.5 Preparing the EnergyLogic Used-Oil Tank

If you are NOT installing an EnergyLogic Tank, first verify that your used oil storage system meets all applicable codes and requirements, then proceed to Section 3.7.

3.5.1 Tank Vent Installation – EnergyLogic Tanks

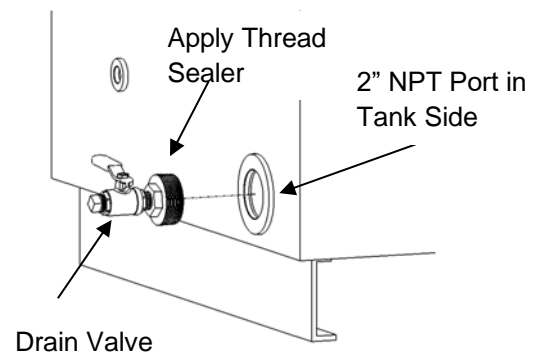
Once the tank is in place, install a tank vent (not included) per applicable codes. This requires a minimum 1.25 inch NPT steel pipe routed through an exterior wall, terminated with a 90° elbow turned down (figure). A mushroom-style cap may be used to terminate the vent as an alternative to the down-turned elbow. Install appropriate Emergency Venting. EnergyLogic offers an emergency vent cap with capacity of 53,000 cu. ft./hr./1501 cu. m/hr. This optional accessory can be installed into the 4 inch NPT port in the tank.



3.5.2 Drain Valve Installation – EnergyLogic Tanks

Install the tank drain valve in a port along the bottom of the tank as shown in figure. Use the provided thread sealer on the threads during installation. Note: Some tanks come with the drain valve already installed. **CAUTION** *The drain valve is necessary for draining water from the bottom of the tank. The drain valve is shown in closed position in figure. A plug should be installed in the drain valve to prevent accidental spills.*

CAUTION *After all components have been installed on the tank, make sure that all unused tank openings are properly plugged.*



Drain valve installation.

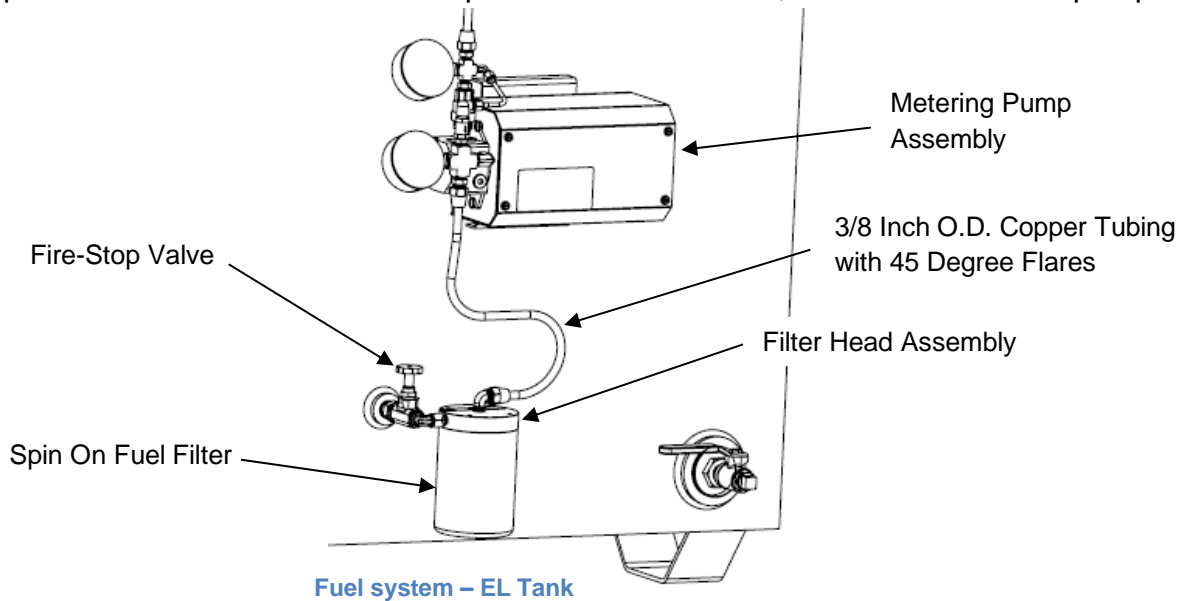
3.5.3 Low Fuel Cutoff Switch – EnergyLogic Tanks

The low fuel cutoff switch is an optional accessory that will automatically shut off the furnace if the tank is nearly out of fuel. This prevents the pump from losing prime. For the standard thermostat (white), the float switch operates by interrupting the thermostat circuit when the fuel level is too low. Install the accessory according to the packaged instructions. If your unit has the “Smart Stat” (black thermostat) the float switch is wired directly to the “Smart Stat”.



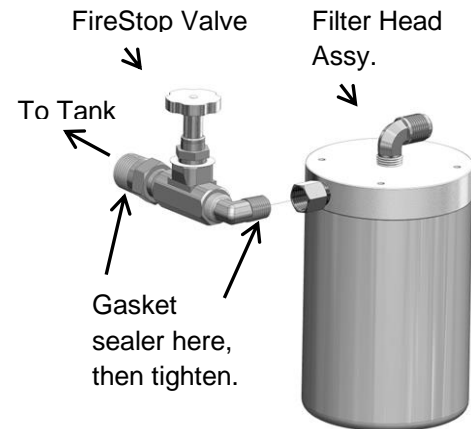
3.6 Fuel Metering Pump and Filter Installation – EnergyLogic Tank (Continue to Section 3.7 if you don't have an EL tank.)

On EnergyLogic Tanks, the fuel pump components are mounted on the side as shown. Follow the steps below to first install the firestop valve and filter head, and then install the pump.



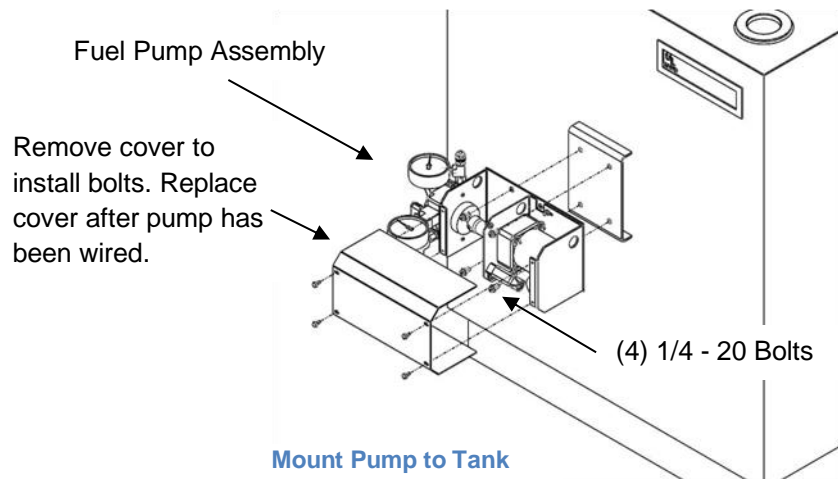
3.6.1 Fire Stop Valve and Filter Head Installation

On EL 250 gallon and 500 gallon tanks, the pump may be mounted to either end of the tank. To install the firestop valve, first apply gasket sealer to the 1/4" NPT fitting and screw the fire stop valve to the fuel filter head, fully tighten the NPT threads using a back-up wrench to prevent loosening of other joints. Then, apply sealer to the 1/2" NPT fitting and screw the entire filter head assembly with firestop valve into the 1/2" NPT port in the side of the tank (located about 10" up from the floor).



3.6.2 Metering Pump Installation

Mount the pump to the integrated bracket on the EnergyLogic tank using (4) 1/4-20 bolts.

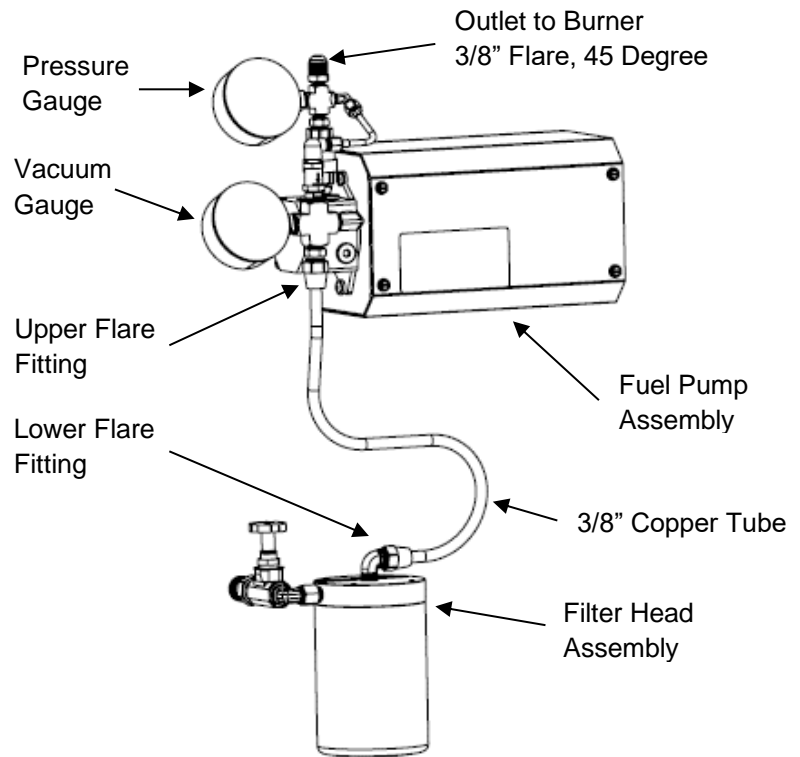


3.6.3 Pump Tubing Installation – EL Tank

Install the tubing as follows:

CAUTION *The pump fittings are sealed and leak tested at the factory. Use a backup wrench when installing the gauges and flare fittings to ensure that you do not turn the pump fittings and create a leak.*

1. Locate the short copper tube assembly.
Carefully install the tube (without kinking) into position as shown.
2. Thread (do not tighten) upper 3/8-inch flare nut onto the flare fitting on the fuel pump inlet. *Do not apply gasket sealer to the flare fittings.*
3. Thread lower fitting onto the filter head fitting.
4. Tighten both flare nuts. Use a backup wrench to prevent loosening of other fittings. Do not over-tighten.



Gauge and Suction Tubing Installation.

NOTE: If your unit is equipped with a “Smart Stat” (black thermostat), there is an additional tee and vacuum switch on the inlet side of the pump. The wires for the vacuum switch are run directly to the Smart Stat. The purpose of the vacuum switch is to indicate when the filter is clogged and needs to be changed.

3.7 Metering Pump Installation – Non-EL Tank (skip if you have EL tank)

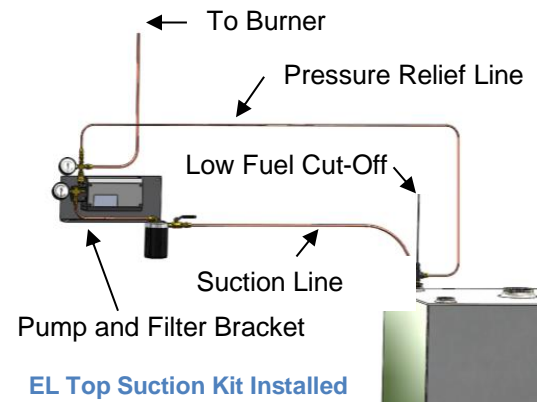
If you are metering fuel directly from a tank not supplied by EnergyLogic, the top suction method may be used. Verify regulations prior to installation. Contact your authorized EnergyLogic dealer to purchase an EnergyLogic Top Suction Kit (if one was not included in your original purchase) to help to avoid common fuel delivery issues.

Installation of the Top Suction System:

1. If you purchased an EnergyLogic Top Suction Kit, follow the instructions included in the packaging. Refer to the following for general guidelines.

Guidelines for Top Suction Method:

- Keep in mind that the main storage tank will need to have enough capacity to allow for separation of water from the used oil. Never meter oil directly from oil drums or totes.
- EnergyLogic's fuel pump is designed for interior use only (must be mounted inside a protective structure). The minimum recommended fuel temperature is 50°F.
- The pump may be mounted to a nearby wall, within 6' of the tank, using appropriate fasteners. Four mounting holes are available in the pump housing once the cover is removed. The ideal placement of pump is with the inlet above the filter head assembly, which should be mounted above the tank fitting. Maximum vertical lift for the suction line should not exceed 6 feet (2m). This includes the portion of line inside of the tank.
- The EL Filter Head Assembly is to be placed such that it filters the oil prior to pump. A shut off valve should be placed prior to the filter head in order to do a vacuum check.
- The Filter Head must be supported properly. Soft copper tubing can twist easily.
- The pump assembly and wiring connections must be at least 18 inches (46 cm) above the floor to meet National Fire Protection Association (NFPA) codes for repair garages.
- The inlet to the suction line should be at least 8 inches (20 cm) off the bottom of the tank, to prevent water and sludge from entering the system.
- Use minimum 3/8" OD x 1/32" wall thickness copper tubing. Never create loops or high points that trap air.
- Use 45 degree flares on the copper tubing. Loose fittings or cracked flares cause problems. Suction leaks cause air to get sucked into the fuel system. All suction leaks must be eliminated.
- Used-oil contains water from condensation. A drain valve on the bottom of the tank should be used regularly to remove water and sludge that separates out of the oil and settles to the bottom of the tank. If your tank does not have a drain valve, you must have the tank pumped out completely (periodically) to remove the water and sludge.

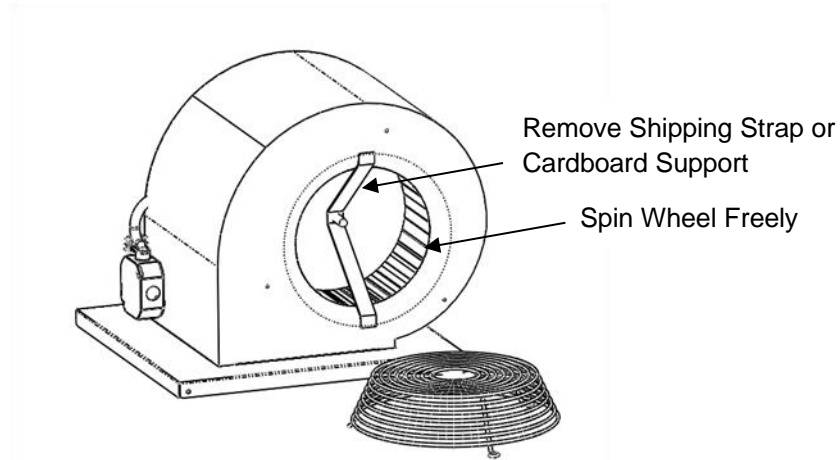


4. Installation of Furnace Components

With the cabinet in place, you are ready to attach the blower assembly, the burner assembly, and the preheater. Then, you will install the fuel tubing from the pump to the preheater.

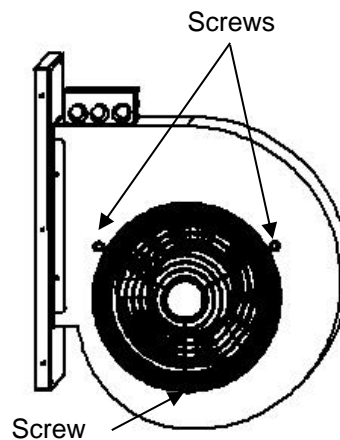
4.1 Blower Assembly Installation

The blower assembly provides warm air from the heat exchanger to the room. The blower is installed on the end of the furnace cabinet. The procedure for installing the blower is as follows:



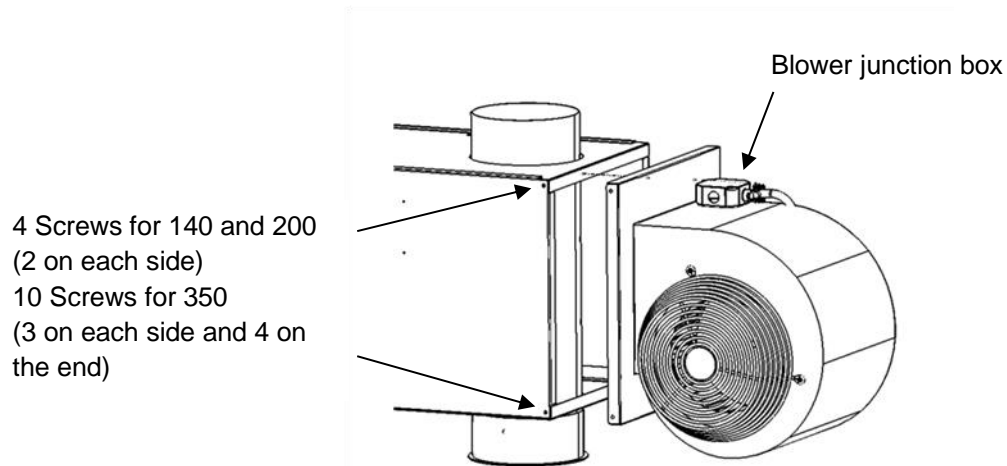
Remove shipping strap or cardboard support and check wheel.

1. Locate the side of the blower with the shipping strap or cardboard support and remove the wire guard (if installed) on that side.
2. Remove the shipping strap or cardboard support.
3. **CAUTION** Spin the blower wheel by hand to ensure that it spins freely.
4. Align the three loops in the wire guard over the holes in the blower side panel. For 140 and 200 model blowers, insert a rubber washer under each loop. Attached the wire guard securely using three (3) sheet metal screws.



Wire guard installation.

5. **⚠ WARNING** HEAVY – GET HELP TO LIFT! To mount the blower to the cabinet, slide the blower panel over the open end of the cabinet. Align the holes and secure the panel with the sheet metal screws provided. Refer to the figure below for this step.



Installation of Blower to Cabinet

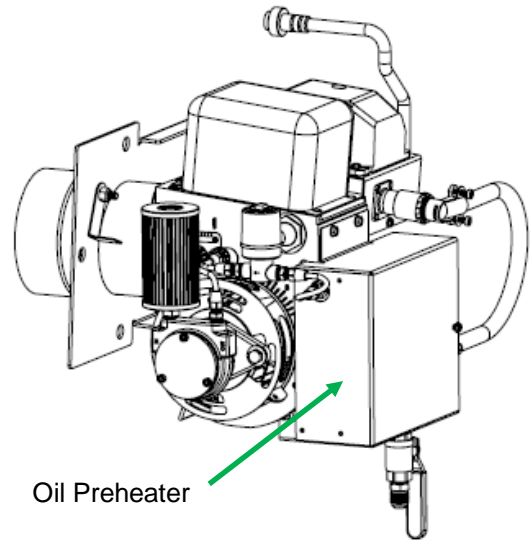
6. **⚠ WARNING** IF POWER HAS BEEN RUN TO THE CABINET ALREADY, MAKE SURE THAT IT IS SHUT OFF AND LOCKED OUT! Find the blower power conduit coming from the cabinet wiring box and running along the top of the cabinet (blue and white wires).
7. Remove the blower wiring junction box cover and install the conduit using one of the knockout holes in the junction box.
8. Connect the blue and white wires from the conduit to the two blower motor wires in the junction box – using wire nuts. Either color cabinet lead can go to either motor lead (blower motor will run correctly either way).
9. Reinstall the junction box cover.
10. **CAUTION** Make sure that the blower harness conduit (located on the top of the cabinet) is at least 2 inches away from the exhaust pipe or damper tee, as the heat from these could damage the wiring.
11. Once the power to the cabinet wiring box is established, the blower can be tested by pushing in the white button on the Fan & Limit Controller on the burner end of the cabinet.

4.2 Burner/Preheater Assembly

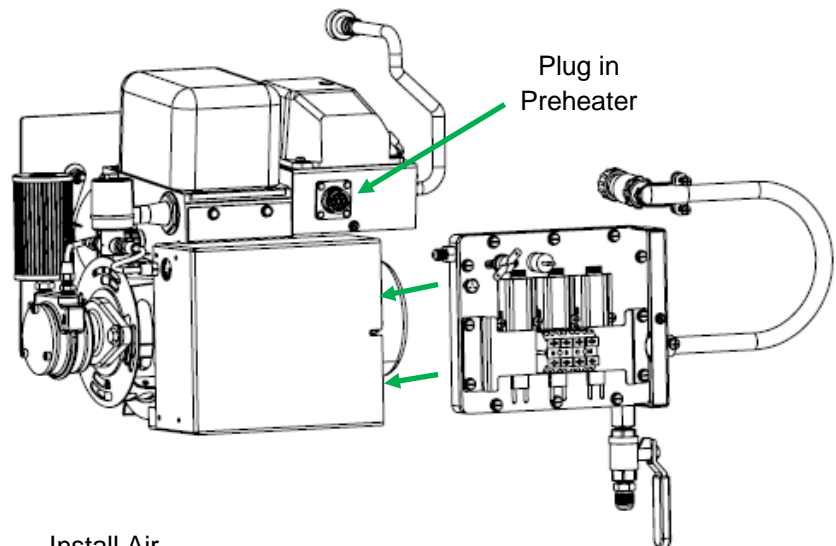
Normally, the burner will arrive with the oil preheater already in place. If not, the preheater should be attached prior to installing the burner to the cabinet.

Assemble the preheater to the burner as follows:

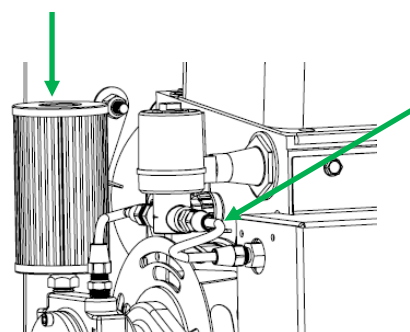
1. Align the preheater with the mounting box on the burner as shown and slide it into the box. Make sure the small outlet fitting goes through the hole in the side of the box. Tighten the screw on the front of the box to lock it in place.
2. Remove the shipping caps from the preheater and burner. **Note:** The preheater and burner are tested during manufacturing, so a small amount of oil may be present when the caps are removed.
3. Cut the tie strap holding the curled tubing, and thread (do not tighten) the fittings onto the solenoid valve and preheater.
4. Using a 7/16 wrench, tighten the fuel tubing fittings. Make them snug, but do not overtighten.
5. Screw the plug end of the preheater conduit into the receptacle on the burner wiring box. Make sure the notch is aligned with the slot, so it will slide into place. It only fits one way.
6. Install the air filter by pressing it onto the compressor inlet.



Burner Assembly with Preheater Installed



Install Air Filter



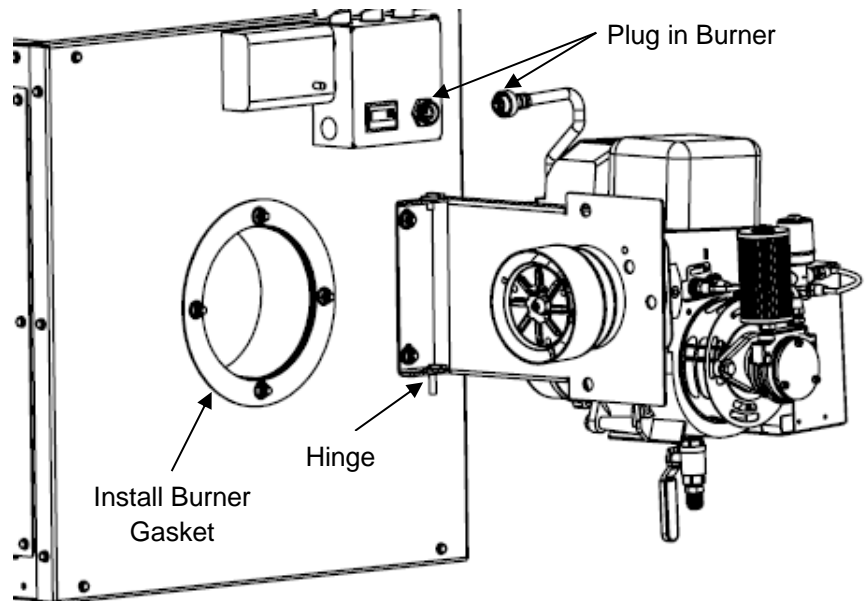
Install Fuel Tubing Between Preheater and Solenoid Valve

4.3 Burner/Cabinet Assembly

Once the burner and preheater are assembled, they can be installed on the furnace cabinet. This is done as follows:

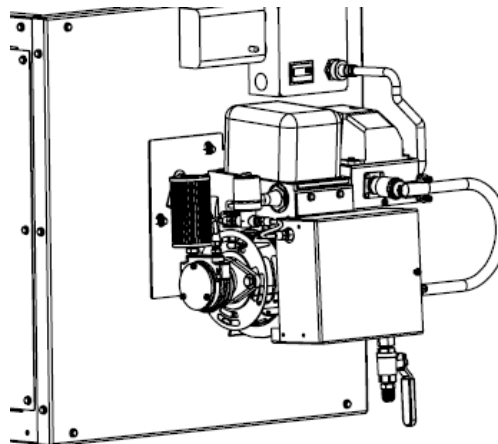
⚠ WARNING *The burner assembly is heavy and must be installed into the cabinet at heights. Use proper lifting and safety equipment when performing the installation.*

1. Remove the four (4) nuts from the studs on the burner end of the cabinet.
2. Install the burner gasket onto the studs. **NOTE:** Gasket sealer should not be used on this gasket. Apply a thin film of anti-seize compound to the cabinet side of the burner gasket to help reduce gasket sticking when swinging burner open for service.



Installation of Burner to Cabinet

3. Inspect the retention head and electrodes for proper settings (refer to Section 8.5.6).
4. Mount the burner assembly onto the cabinet by inserting the burner hinge pins into the cabinet hinge bracket (bottom pin first).
5. Swing the burner over the studs and reinstall and tighten the four (4) nuts. **Note:** If the burner is not centered over the studs, loosen the hinge bracket to adjust.
6. Align the pins with the receptacle and plug the burner harness into the cabinet wiring box. The plug fits only one way.



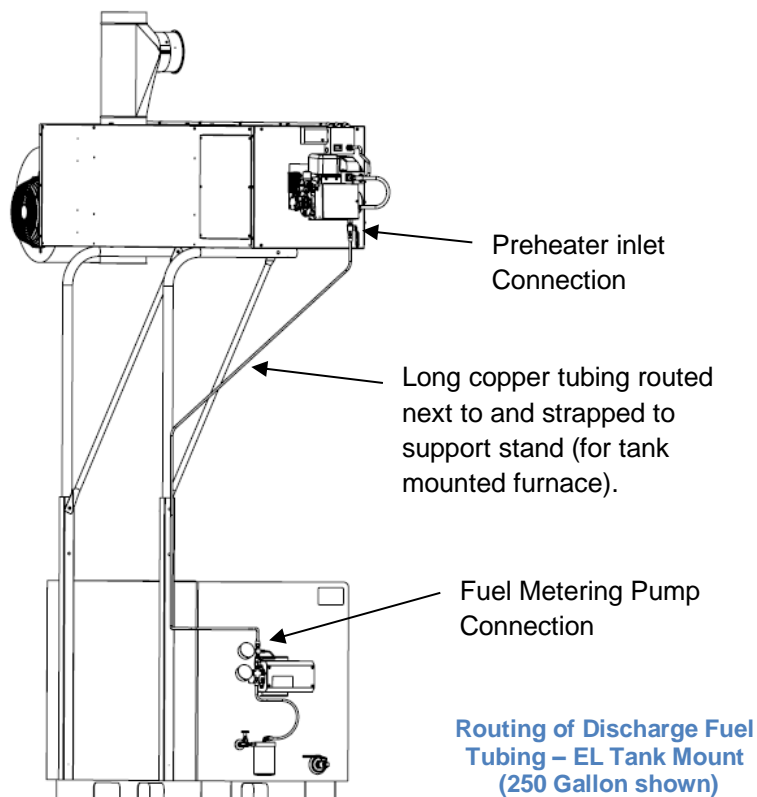
Burner and Preheater Installed on Cabinet

4.4 Pump Outlet Tubing Installation

Now that you have installed the burner, you will install the fuel tubing between the pump and the preheater.

4.4.1 Pump Outlet Tubing Installation

If you purchased a complete system (tank mount), the required fuel tubing is included. The tubing is installed as follows (refer to figure). Note: If your furnace is not mounted on the tank, refer to the next section for further guidelines.



1. Remove the shipping cap on the fuel pump discharge (outlet) port.
2. Locate the 3/8-inch diameter x 8.5 feet long copper tubing. **CAUTION** *Be careful not to kink or place sharp bends in the fuel tubing. Do not form any loops in the tubing, trapped air will cause issues with burner performance.*
3. Thread (do not tighten) the flare fitting on one end of the tubing to the fuel pump outlet.
4. Route the fuel tubing to the back side of the tank, vertically along the cabinet stand and over to the preheater inlet.
5. Remove the preheater inlet shipping cap. Note: The preheater was tested during manufacturing, so a small amount of oil may be present when the cap is removed. Thread (do not tighten) the fuel tubing fitting to the preheater inlet.
6. Use plastic tie straps to secure the tubing to the stand.
7. Tighten the fuel line flare fittings. Make snug but do not overtighten. Use a second wrench to prevent loosening the fittings on the pump and preheater. *Do not use gasket sealer on flare fittings.*

4.4.2 Pump Outlet Tubing Installation – Ceiling or Wall Mounted Furnace (skip if you have a tank mounted furnace)

If installing the furnace with a remote tank, the required fuel discharge tubing is not included. The tubing is installed with the same procedure as in Section 4.4.1, except for tube routing. The following guidelines are provided:

Pump Discharge Tubing Considerations:

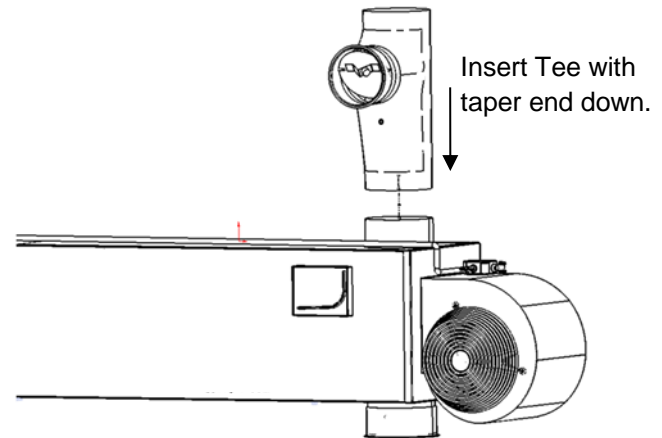
- Use 3/8" O.D. copper tubing, with 1/32" wall thickness.
- The discharge line must have an upward slope towards the preheater, with no loops or high points to trap air. Run it as straight as possible.
- If high points are unavoidable, install high-point-bleed kits (available accessory) wherever the discharge line routing steps down to provide a means to bleed trapped air in the line during priming.
- Use 45° flare connections for copper tube. Never use compression fittings.
- Maximum vertical run of discharge tubing is 30 feet.
- Maximum total run of discharge tubing is 150 feet.
- Discharge line from the metering pump must be run indoors, with a minimum ambient temperature of 50°F (10°C).
- Installation of a shut-off valve after the fuel pump will make routine maintenance easier. It will prevent loss of oil in the discharge line if the pump discharge connection is to be loosened for priming or other maintenance.
- The use of a remote system gauge kit (available accessory) is recommended in order to have convenient pressure readings available at the burner.

5. Exhaust Flue System Installation

The exhaust system is critical for the safe operation of the furnace, as it exhausts the products of combustion out of the building to the ambient environment.

5.1 Barometric Damper Tee Installation

The barometric damper tee helps to regulate draft pressure through varying ambient conditions. Install the tee with the tapered end pointing downward by sliding it into the heat exchanger outlet until snug (refer to figure). Secure using 3 sheet metal screws.



Damper Tee Installation

5.2 Flue Piping Installation

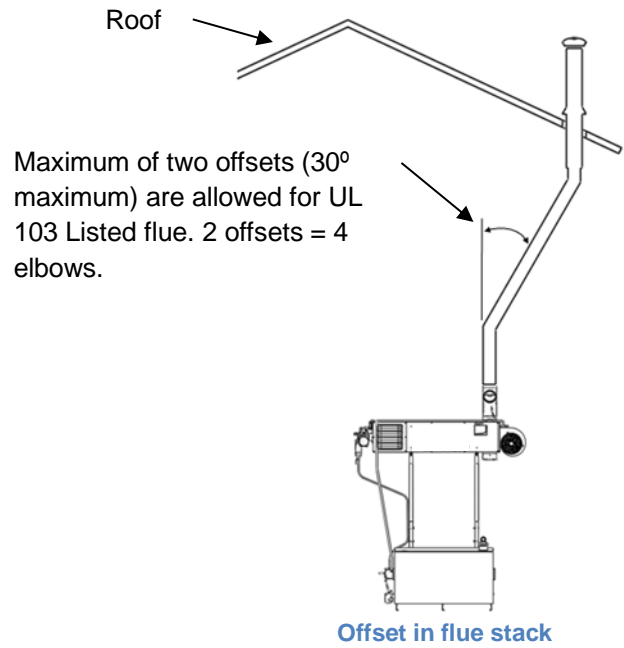
The flue piping exhausts products of combustion out of the building into the ambient environment.

⚠ WARNING *You may have a basic knowledge of carpentry and the use of hand tools. However, it is important that you review all safety rules in this section, and all safety rules in the manuals provided with your manufactured flue kit. If you have any doubt about your ability to complete the installation in a safe and workmanlike manner, you should arrange for a professional installation. For more regulatory information regarding flue pipe installation, consult NFPA 31 and your local fire protection and building codes.*

Flue System Installation Steps and Considerations:

- Review this section completely. Choose and purchase a factory-built flue kit that complies with U.L. standard 103 Type HT, or Equivalent.
- The EL-350H requires an 8-inch diameter flue and may not be reduced.
- The flue connector for EL-140H and EL-200H may only be reduced down to 6-inch diameter flue provided that the following conditions are met without fan assist, otherwise use an 8-inch flue system:
 - Adequate Draft, with additional margin for adjustment of the damper door.
 - Minimum Stack Height requirements are met.
 - All other requirements in this document, as well as all regulations, are met.
- For your convenience, EnergyLogic offers flue kits for EnergyLogic furnaces. Contact your EnergyLogic dealer to purchase.
- **⚠ WARNING** Read and follow the product and safety instructions included with your selected flue kit. If product instructions were not included, contact the manufacturer of your kit to obtain the instructions. If unsure of your ability to properly install the flue system, hire a professional installer or contact EnergyLogic for assistance.

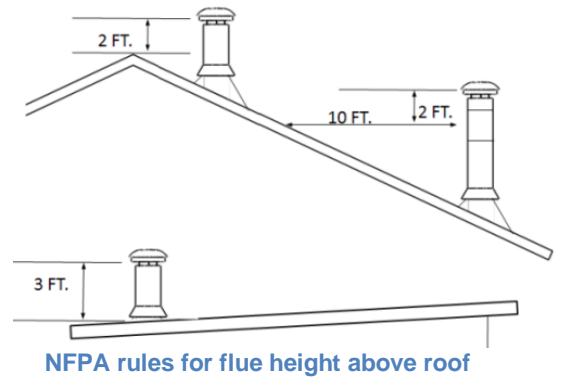
- Contact your local building or fire officials about restrictions and an installation inspection.
- Run the flue vertical from the damper tee out through the roof. If this is not possible, two offsets (30° maximum) are allowable for U.L. 103 Listed Flue Kits (refer to figure).



- **⚠ WARNING** Single-wall steel flue (minimum wall thickness of 24 Gauge) may be used in heated space, but must be kept a minimum distance (air space only) of 18 inches (46 cm) from combustible surfaces (check building and fire codes for precedence). **THE PORTION OF THE FLUE SYSTEM THAT PASS THROUGH UNHEATED SPACE / CONCEALED AREAS AND THE PORTION OUTSIDE THE BUILDING IS TO BE A CLASS-A DOUBLE-WALL FACTORY-BUILT FLUE KIT THAT IS APPROVED TO STANDARD U.L. 103, OR EQUIVALENT.** Refer to the manufacturer’s instructions on the minimum clearance required for the double-wall product used. Install flue system per the flue manufacturer’s instructions, making sure that adherence to the instructions will fully comply with national safety standards such as NFPA 31, 54, and 211. Refer to fire and building codes for further requirements. **⚠ WARNING** Improper installation of the flue system could result in property damage, serious injury or death.

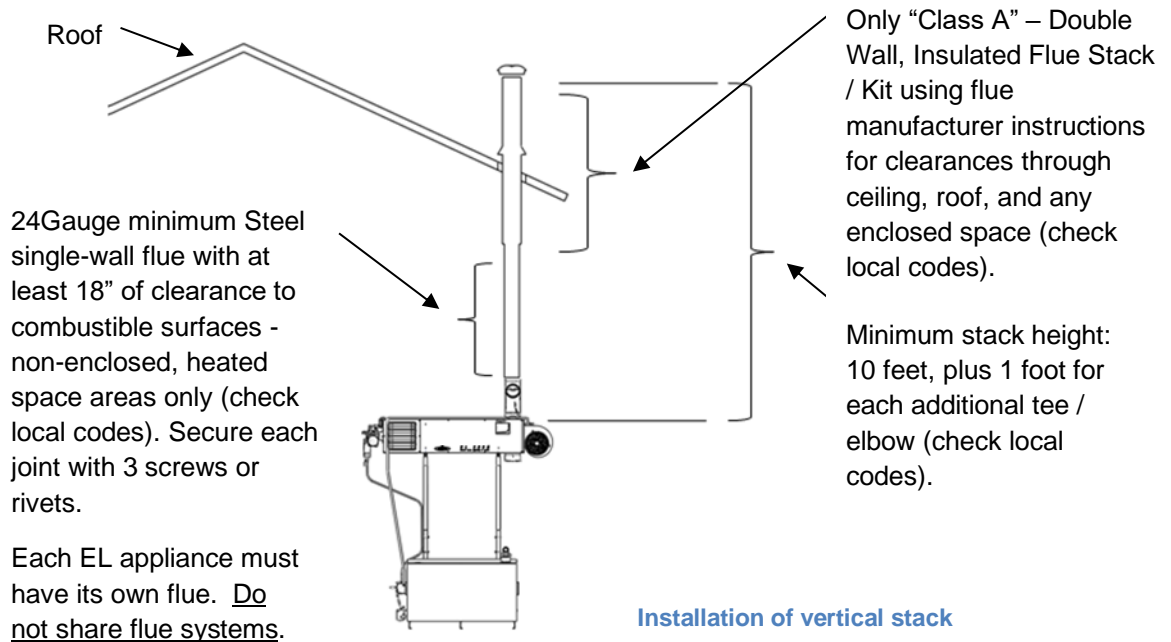
- Avoid 90-degree elbows and horizontal runs.
- Properly support the flue stack. Do not rely on the furnace to support the total load of the flue system. Follow the flue manufacturer’s instructions for support kits.
- Use a dedicated flue system for each EL appliance. Do not share a flue system with another appliance or fireplace.

- The flue is required to extend at least 3 feet above the highest point where it passes through the roof of a building, and at least 2 feet higher than any portion of a building within 10 feet (NFPA 31, 54 and 211 – see figure). For increased margin, EnergyLogic recommends extending the flue further than the minimum guidelines.



- Minimum stack height: 10 feet, plus 1 foot for each additional tee or elbow. Refer to local codes, which may require additional stack height based on BTU input.

- In Canada, installation including stack height requirements and distance from property line shall be in accordance with the authorities having jurisdiction concerning environmental quality as well as fuel, fire, and electrical safety and Table 7 in CSA B140.0-03 (clause 22.3.2).
- Terminate the flue pipe with an all-weather wind cap.
- During start up (section 7), you will verify that the flue system (along with conditions inside the room or building) provides for adequate draft. **⚠ WARNING** *Do not operate your furnace if you cannot achieve proper draft. Contact EnergyLogic Technical Service for assistance.*



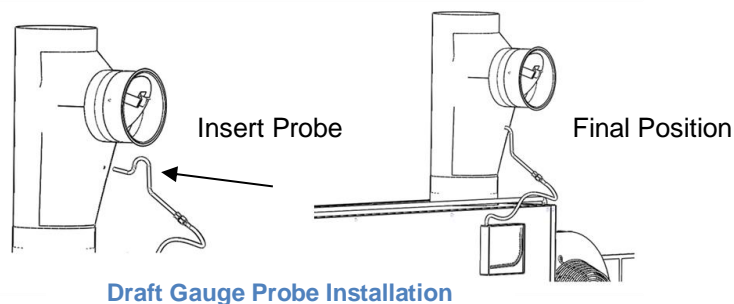
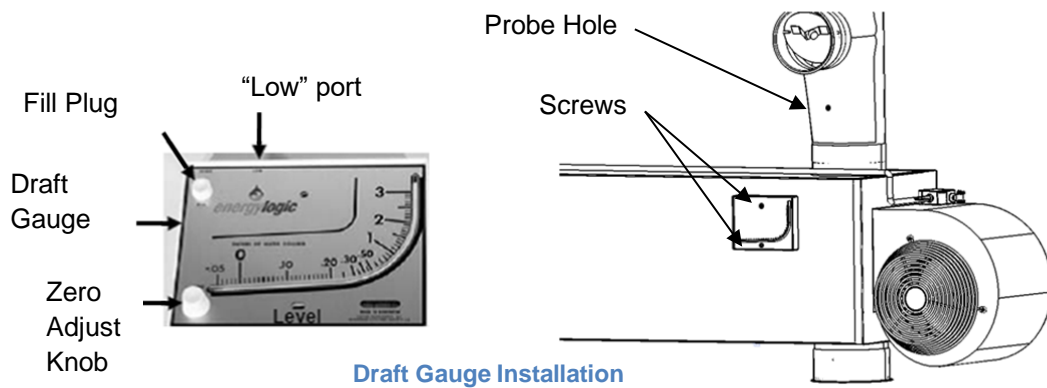
⚠ WARNING *A negative pressure inside the building may prevent the combustion exhaust products from being vented outside properly, which may result in a hazard from smoke/carbon monoxide inhalation and/or fire. Use of exhaust fans in your shop without adequate make-up air may create a negative pressure. There are other possible causes as well. Corrective measures must be taken before operating the appliance if proper draft cannot be achieved. Contact EnergyLogic or consult a local professional for assistance.*

5.3 Draft Gauge Installation (included with some packages)

The draft gauge is a precision inclined-vertical manometer. Permanently installing the EnergyLogic draft gauge allows you to monitor the draft during operation.

Installation (refer to figures)

1. Mount and level the draft gauge to the furnace cabinet using the screws provided with the gauge (refer to figure). **Note:** There is a level built into the gauge.
2. Turn Zero Adjustment Knob clockwise until it stops, then turn counterclockwise (3) full turns to allow for future adjustment.
3. Remove gauge Fill Plug and open red fluid bottle provided with gauge.
4. Pour small amounts of fluid (typically 1/4 of the bottle is used) into “fill” opening until it reaches zero on the scale. Replace the fill plug. Minor adjustments can be made by adjusting the knob to zero the gauge.
5. If a double flexible tube was included with the gauge, separate the tubes, as only one is needed. Attach one end of a tube to the draft gauge port labeled “Low” at top of the gauge. **Note:** By doing this, the negative readings will now read positive on the gauge scale. This is to take advantage of the larger scale on the positive side.
6. Locate the draft gauge probe, which is a piece of stainless-steel tubing with a “U” bend in it. Thread a 1/4-inch barbed fitting (included in the gauge packaging) to the draft gauge probe. **Note:** There is extra hardware in the gauge packaging that is not used.
7. Attach the free end of the tube to the 1/4 in. barbed fitting.
8. Confirm that the gauge is reading “zero” with the probe in your hand, in still air. If not, adjust the gauge to read zero using the zero adjust knob.
9. Insert the open end of probe into the hole in the barometric damper tee as shown in figures below.



6. Electrical System Installation

Power requirements: a dedicated, hard-wired 115VAC/60Hz circuit with a 25 Amp maximum circuit breaker. DO NOT RUN YOUR HEATER OFF AN EXTENSION CORD! Use copper conductors only. A wiring diagram is provided in the Appendix.

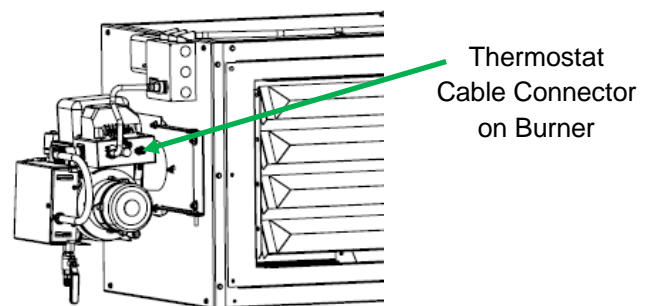
⚠ DANGER Electricity is very dangerous. The wiring should be completed by a qualified electrician. Consult the National Electric Code (NEC) and local codes for additional requirements. In Canada, consult the Canadian Electrical Code, Part I.

6.1 Wall Thermostat (Standard)

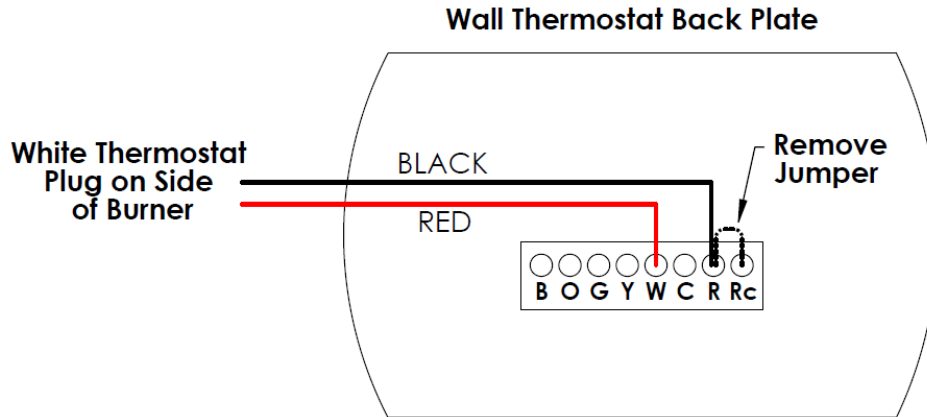
NOTE: The “Standard” thermostat provided with the furnace is battery powered to keep wiring relatively simple. EnergyLogic has several thermostat kits available with various added features, such as Wi-Fi connectivity and alarm outputs, that have been developed for use on EL furnaces. If installing one of those models, follow the instructions that came with the kit.

The standard thermostat is installed as follows:

1. Separate the thermostat from the wall plate base.
2. Locate the thermostat five feet (1.5 m) above the floor on an interior wall, not in the path of warm or cold air. Do not mount the thermostat on a cold exterior wall. Do not install the thermostat on the furnace.
3. Mark the wall plate screw-hole locations where the thermostat will be mounted.
4. Drill holes and install wall anchors (provided).
5. Pass the thermostat cable and low fuel cutoff cable (if used) through the large opening found at center of the wall plate. (Extension wires may be required, depending on the location.)
6. Mount the wall plate to the wall by threading the provided screws into the wall anchors.
7. Remove the jumper between the (R) and (Rc) Terminals (if installed).
8. Connect the black thermostat wire to the (R) Terminal by loosening screw in (R) Terminal, inserting wire and tightening screw.
9. Connect the red thermostat wire to the (W) Terminal (Heat relay) by loosening screw in (W) Terminal, inserting wire and tightening screw.
10. Install (2) AAA alkaline batteries into the thermostat.
11. Hook the top of the thermostat into the top of the wall plate.
12. Align the thermostat over the wall plate.
13. Press the thermostat onto the wall plate.
14. Route the thermostat wire to the burner and connect the white plug on the burner end of the cable to the receptacle at burner wiring box (refer to figure).



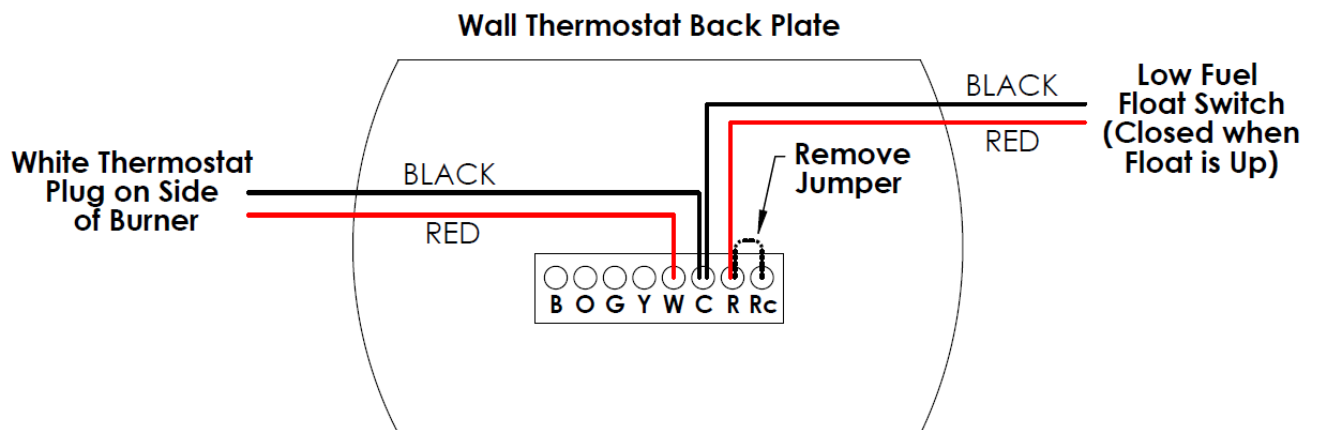
Connect the Thermostat Cable to the Receptacle on the Burner



NOTE: CIRCUIT WILL CARRY 24V AC POWER, 0.1 AMP MAX.

Thermostat Wiring without Low Fuel Cutoff Switch

NOTE: If installing an EnergyLogic Low Fuel Cut Off Switch, or an EnergyLogic Top Suction Kit with an integrated Low Fuel Cut Off Switch, the thermostat circuit passes through the switch. Refer to the wiring diagram below or the package installation instructions provided with the accessories.



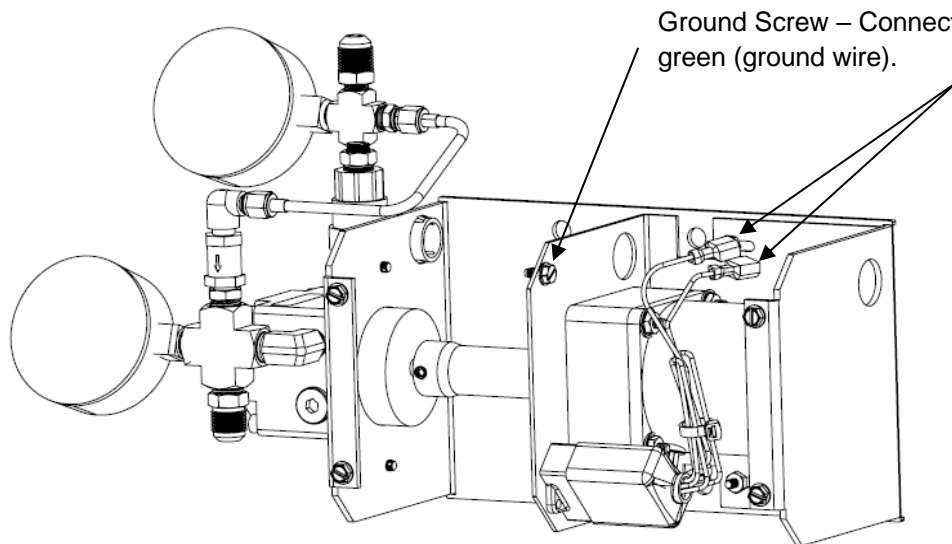
NOTE: CIRCUIT WILL CARRY 24V AC POWER, 0.1 AMP MAX.

Thermostat Wiring with Low Fuel Cutoff Switch

6.2 Fuel Pump Power Connection

▲ DANGER Make sure that power is shut off and locked out prior to making electrical connections.

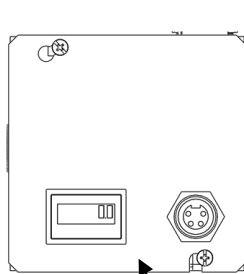
1. Remove the fuel pump housing cover.
2. Use the flexible metal conduit with white, orange and green wires, NEC size 14 AWG, attached to the cabinet wiring box on the heater. Route the conduit from the cabinet wiring box to the fuel pump housing. Connect one end of the conduit to the pump housing (hole provided on right or left side of housing).
3. Using the female crimp on terminals provided, connect the orange wire to one pump motor male terminal (it does not matter which one) and the white wire to the remaining terminal. Connect the green wire to the ground screw on the middle housing bracket.
4. Reinstall fuel pump housing cover.
5. **NOTE:** If making your own harness: Remove cabinet wire box cover. On the cabinet wire box terminal block, connect the orange wire to the terminal marked ORG, the white wire to the terminal marked WHT and the green ground wire to the terminal marked GND. Use a screwdriver to push down terminal lever, and insert stripped end of wire into the terminal hole. Gently tug on wire to make sure that the connection is secure.



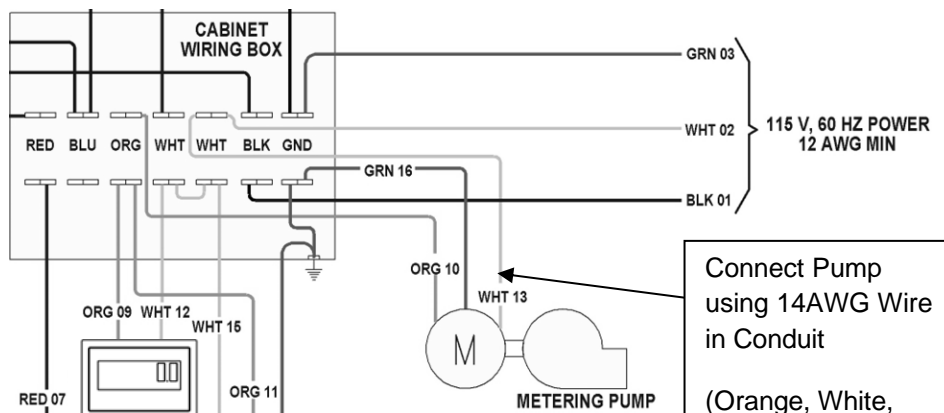
Ground Screw – Connect green (ground wire).

Using crimp on, insulated terminals, connect leads on Pump Motor to Pump Harness (Orange and White)

NOTE: Polarity does not matter. The incoming orange and white wires may connect to either motor wire.



Cabinet Wire Box Cover

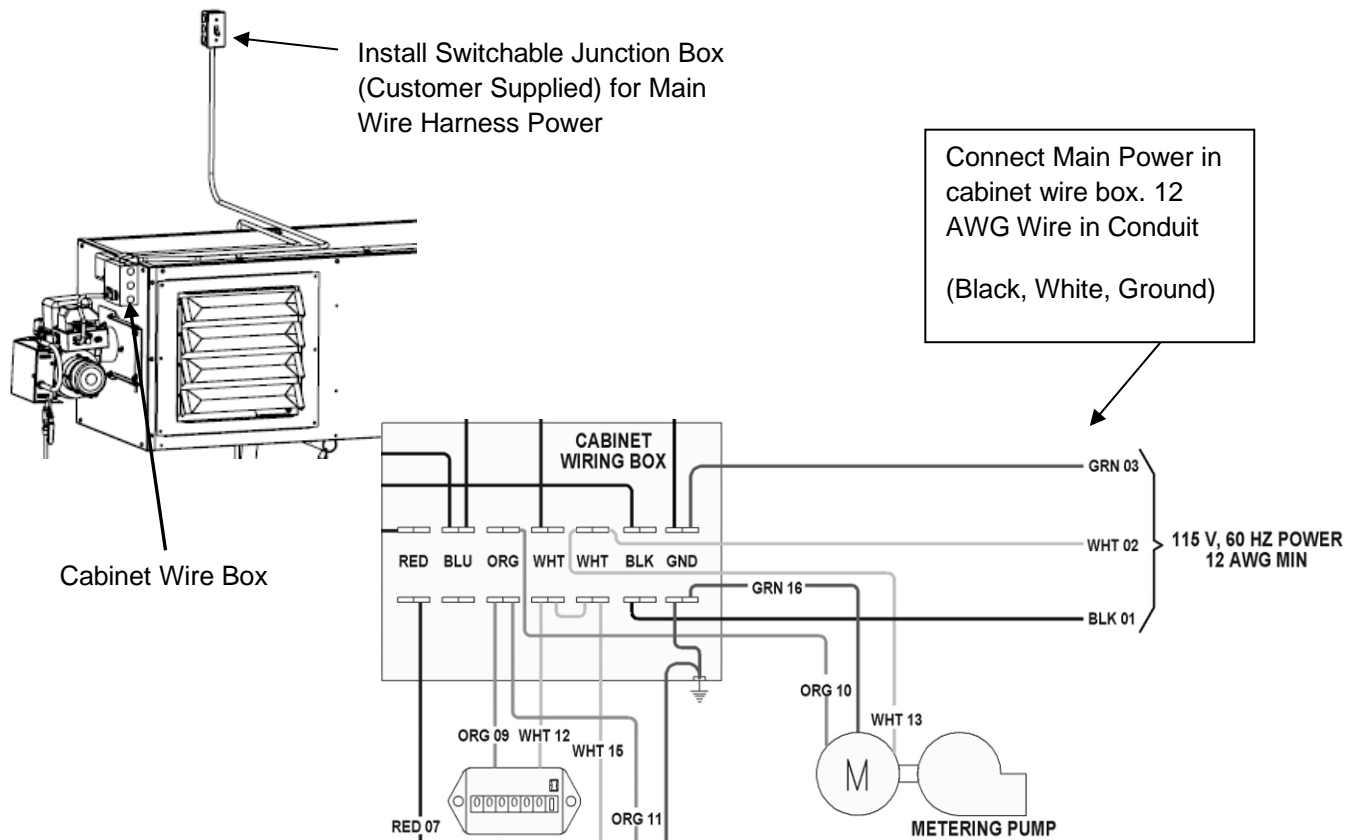


Wire Connections to the Metering Pump.

6.3 Main Electrical Connection

▲ DANGER Personally verify that the main circuit is OFF and Locked-Out before making any wiring connections. Use only copper conductors. All wiring installations should meet National Electric Code (NEC) and local guidelines. Canadian wiring installations are to be done in accordance with the Canadian Electrical Code, Part I.

1. Have a certified electrician install a wall mounted or ceiling mounted junction box near the furnace cabinet. It is recommended that the box be switchable with a lock-out feature. Provide wiring to the junction box from the building service panel (with main power off). Verify the use of a dedicated circuit (115VAC/single phase circuit breaker – 25 Amp maximum per UL) - wired to code for the size and type of service used.
2. Use flexible metal conduit with white, black and green wires, NEC size 12 AWG, provided with the heater. Route the conduit from the cabinet wiring box to the installed junction box. Connect the conduit to the junction box through knock-out on the box.
3. Using wire nuts connect the black wire (Load) from the conduit to the black wire of the junction box, the white wire (Neutral) to the white wire, and the green wire (Ground) to the bare copper wire inside the junction box. Install the junction box cover.
4. Note: If making your own harness: Remove cabinet wire box cover. On the cabinet wire box terminal block, connect the black wire to the terminal marked BLK, the white wire to the terminal marked WHT and the green ground wire to the terminal marked GND. Insert stripped ends of wires into the terminal holes. Gently tug on wires to make sure that the connections are secure. Reinstall cabinet wire box cover.



Main power connection (EL-200H shown)

7. Startup and Operation

Once setup properly, EnergyLogic furnaces are designed to operate reliably over a wide range of conditions with minimal adjustment. This section is provided to make sure that the furnace is set up properly, and to provide instructions on the initial startup.

7.1 Do's and Don'ts/Tech Tips

1. Read each procedure completely before performing the steps.
2. Do not burn gasoline or kerosene in your furnace.
3. Do not place chlorinated solvents into the tank.
4. Do not burn antifreeze coolant (ethylene glycol) in your furnace.
5. Regularly check for water and/or coolant in the tank at the tank drain.
6. Do not allow your fuel tank to run out of fuel (avoid the hassle of re-priming of the fuel system).
7. Document the pressure and vacuum readings of the furnace after it has been operated for several hours. This will assist with future diagnostics, if necessary.
8. Do not place fuel suspected of having debris, such as an oil dry product, into the tank.
9. Store this manual in an accessible location.
10. Only use EnergyLogic fuel filters. Do not use paper element filters.
11. PERFORM THE RECOMMENDED PERIODIC MAINTENANCE.
12. Unplug the burner during the off season (summer) to prevent coking of the preheater and nozzle.

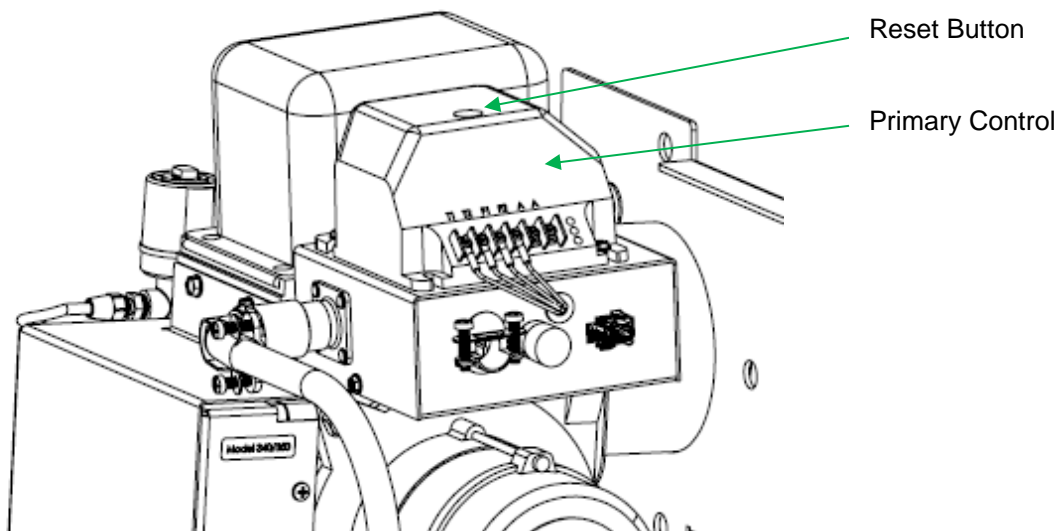
7.2 Burner Primary Control Operation

The burner operation is governed by the Primary Control (shown in figure on next page). This device is pre-programmed and is not adjustable. The important interface points are as follows:

- The two T-Terminals are for the thermostat signal. To simulate a closed thermostat, you can jumper across the two T terminals with an alligator clip.
- The two F-Terminals are for the cad cell signal. The cad cell is a light sensor inside the burner that senses the flame. To simulate a flame, you can jumper across the two F terminals with an alligator clip.

⚠ WARNING *Do not leave the T and F terminals jumped during normal furnace operation, as this bypasses several safety checks and may cause excessive oil to be deposited in the combustion chamber, creating a fire or explosion hazard. For the same reason, do not leave the T and F terminals jumped for more than 30 seconds if oil is being sprayed but not being burned.*

- The reset button is used to reset the controller, in case of a failed start attempt or flameout.
- The LED(s) (on some models) are used to indicate proper furnace operation or errors.



Burner Primary Control (Models Vary)

During normal operation, the furnace operates as follows:

1. The wall thermostat closes.
2. If the preheater is hot enough to close the internal thermostat (140°F), then the controller is released to start the burner.
3. The burner motor comes on, which starts the combustion air blower and compressor.
4. The ignition transformer is powered to spark the igniter.
5. The fuel pump turns on to deliver fuel, and the solenoid valve opens.
6. Within 30 seconds the flame lights and is recognized by the cad cell.
7. The heat exchanger gets warm.
8. The Fan & Limit Control turns on the circulation blower to deliver warm air to the room.
9. The burner continues to operate until the room is warm and the thermostat opens.
10. After the burner shuts off, the blower continues to operate until the heat exchanger has cooled down.

7.3 Safety Systems and Warnings

Several systems built into the burner controls ensure that the burner operates safely and will shut down if something is wrong:

Preheater Thermostat: This device prevents the primary control from attempting to start the burner with fuel that is too cold (below 140°F). In addition, if the oil temperature drops below the limit while the burner is firing, the burner will shut down.

Cad Cell: The Cad Cell detects the light emitted by the flame to determine that the flame is on. If the burner does not light within 30 seconds, or if the flame goes out for any reason, the

controller will shut down the burner. This prevents the accumulation of unburned fuel in the combustion chamber, potentially generating smoke, rumbling and/or misfiring once the burner lights.

Primary Control – Recycle Mode: Once a flame is established, if the burner loses flame for any reason, the Primary Control will enter Recycle Mode (Red LED flashes). After approximately 60 seconds, the Primary Control will attempt to restart the burner. If no flame is seen by cad cell during the restart attempt, the Primary Control will lock out (Red LED light on). To reset, press/release the red reset button. If the cad cell sees a flame, the Primary Control will continue running the burner. **⚠ WARNING** Multiple resets may allow oil to accumulate in the heat exchanger, therefore do not reset more than one or two times. Call for service from an authorized professional if controller continues to trip. **⚠ WARNING** DO NOT ATTEMPT TO START THE BURNER WHEN EXCESS OIL HAS ACCUMULATED IN THE CHAMBER, WHEN THE FURNACE IS FULL OF VAPOR, OR WHEN THE COMBUSTION CHAMBER IS VERY HOT.

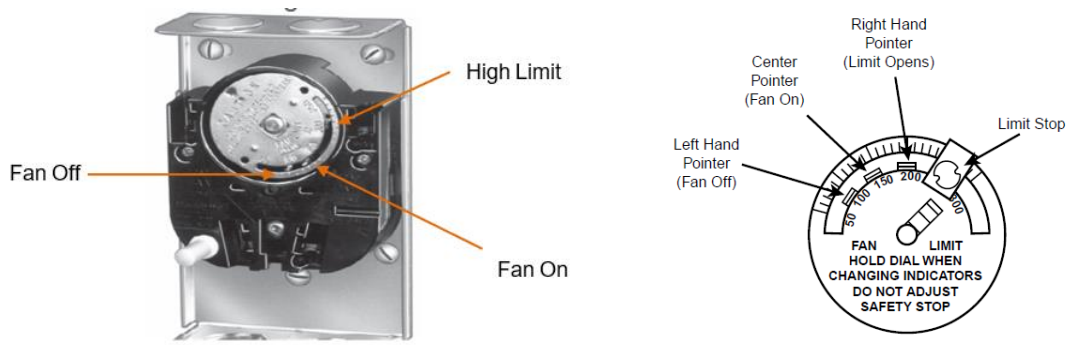
Primary Control - Limited Reset/Lockout Mode: If several attempts to restart are not successful, the controller may go into lockout mode (*refer to controller information in Section 10.2) with the red and amber LED lights on. **⚠ WARNING** *If lockout mode occurs, do not continue to try to operate the burner until the problem has been resolved. Call for service. To reset the control from lockout, press and hold the reset button down for one minute. (*Note that controller models vary.)*

Fan & Limit Switch: The Fan & Limit Switch monitors the air temperature in the cabinet and controls the operation of the fan. For safety, if the temperature becomes too hot (hits the high limit setpoint), it will completely shut off power to the burner.

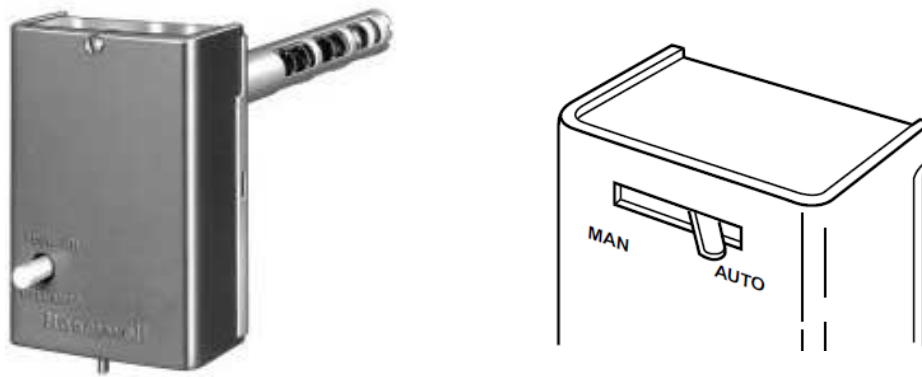


The Fan & Limit Switch has a bi-metal coil probe that rotates as it heats up. The switch has three set point tabs around a dial: Fan Off, Fan On, and High Limit. When the burner fires and heats up the chamber, the dial rotates. It goes past the Fan Off setpoint. Then when it gets to the Fan On setpoint, the fan is energized through the blue wire. As long as the temperature stays below the High Limit setpoint, the burner will be powered through the red wire. When the burner shuts off, the chamber needs to cool down all the way to the Fan Off setpoint before the fan shuts off. NOTE: The fan may cycle on and off on its own due to the residual heat in the chamber or if the ambient air is very cold.

There are a couple of different manufacturers of the Fan & Limit switches. They may look a little different, but they operate similarly. See Section 9.3.10 for the nominal settings and additional information. The nominal settings should work for most situations. NOTE: The dial must be held in place securely when adjusting the tabs to prevent damaging the coil.



The Fan & Limit Switch also has a manual mode which can be used to turn the fan at any time. To turn the fan on manually, either push in the white knob, or flip the switch to the side, depending on the model that you have.



If the Fan & Limit does not operate as described above, call Technical Support for assistance.

7.4 Furnace Startup

Prior to the initial startup of the furnace, it is important to make sure the fuel system is properly primed to remove air bubbles that will cause nuisance flameouts. Once the burner is operating, the system is checked and necessary adjustments are made.

CAUTION Fuel vacuum side leaks that cause air to get into the fuel system are a major cause of nuisance burner shut-downs. It is critical to eliminate all vacuum side leaks from the fuel lines!

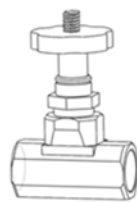
WARNING DO NOT ATTEMPT TO START THE BURNER WHEN EXCESS OIL HAS ACCUMULATED IN THE CHAMBER, WHEN THE FURNACE IS FULL OF VAPOR, OR WHEN THE COMBUSTION CHAMBER IS VERY HOT. Refer to section 8.5.1 (heat exchanger cleaning) for instructions on removal of excess oil.

WARNING DO NOT START THE BURNER UNLESS ALL CLEANOUT PANELS ARE SECURE IN PLACE.

7.4.1 Fuel System Priming

This section explains how to prime the metering pump. **CAUTION** Use a backup wrench when removing or installing the flare fittings, plugs or caps to ensure that you do not loosen threaded fittings and create a leak.

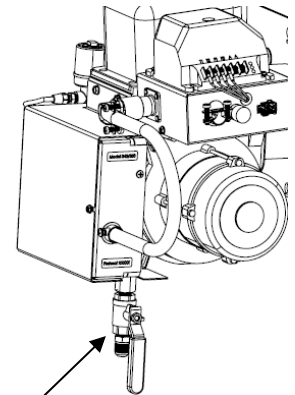
1. Make sure the used oil storage tank has adequate oil, with oil level above the low fuel cut off float switch (if installed). You may pre-fill the Fuel Filter with non-synthetic clean ATF to speed the priming process and to reduce amount of air in system. Do not pre-fill with new motor oil as new motor oil will not burn! Hand-tighten the filter (apply thin film of oil to gasket). Make sure all hand valves are open.
2. Unplug the thermostat cable connector at the burner.
3. Ensure the fire-stop valve and that ball valves are open.
4. Switch on the main power circuit to the furnace, and make sure that the burner and preheater are plugged in.
5. Have oil absorbing rags handy to catch oil.
6. Using two 7/16" wrenches, disconnect the small fuel tubing from the inlet of the solenoid valve (refer to figure).
7. Loosen the small tube fitting at the preheater outlet and pivot the fuel tubing so that it is pointed away from the burner. Then, re-tighten the fitting at the preheater outlet to seal during priming.
8. Place a container under the open end of the fuel tubing.
9. Jump one set of alligator clips across the T-T terminals (red wires) on the primary control to simulate the thermostat requesting heat. The primary control delays the start for 3 seconds.



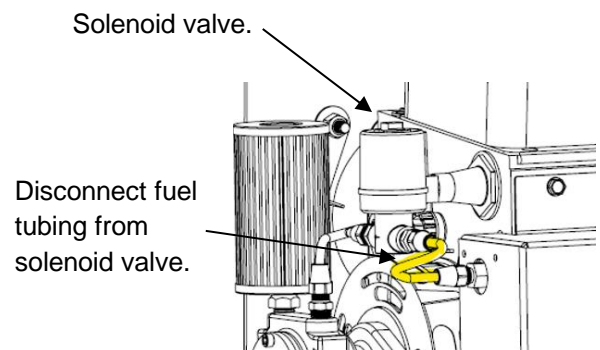
Fire Stop Valve
Open



Fire Stop Valve
Closed



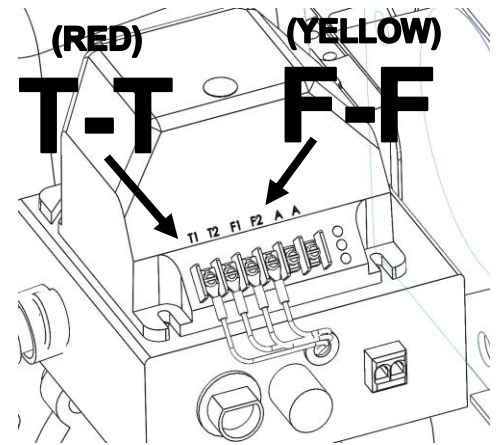
Ball Valve Open



10. Once the burner motor starts, immediately jumper across the F-F terminals (yellow wires) on the primary control with another alligator clip to simulate the cad cell seeing a flame.
11. It can take some time (5 – 10 minutes, depending on the unit size and length of tubing between the pump and preheater) for the fuel to reach and fill the preheater.
12. Once fuel is flowing steadily from the tube at the top of the preheater into the container with **no air bubbles visible**, the system is primed.

⚠ CAUTION The preheater and fuel coming out of the preheater are hot.

13. Remove the alligator clips from the terminals. **⚠ WARNING** Do not leave the T-T and/or F-F terminals jumped during normal furnace operation, as this bypasses several safety checks.
14. Reconnect the fuel tubing to the solenoid valve and preheater outlet. **⚠ CAUTION** The preheater and fuel coming out of the preheater are hot.
15. Plug the thermostat cable connector back into the burner.
16. Make sure that the preheater valve is open.



Jumping the T-T and F-F Terminals

7.4.2 Starting the Furnace

Prior to starting the furnace after power has turned off or the preheater unplugged, allow the preheater to heat the fuel for around 20 minutes. The preheater thermostat circuit will close once the fuel temperature reaches approximately 140°F. Once the fuel is hot, start the furnace as follows:

⚠ WARNING DO NOT ATTEMPT TO START THE BURNER WHEN EXCESS OIL HAS ACCUMULATED, WHEN THE FURNACE IS FULL OF VAPOR, OR WHEN THE COMBUSTION CHAMBER IS VERY HOT. Refer to section 8.5.1 (heat exchanger cleaning) for instructions on removal of excess oil.

⚠ WARNING DO NOT START THE BURNER UNLESS ALL CLEANOUT PANELS ARE SECURE IN PLACE.

1. Verify the Red LED (on certain models) on the primary control is not on or flashing. You may need to reset the controller by pressing the reset button.
2. Set the wall thermostat to a high temperature to send a call for heat and start the furnace.
3. It may take a few attempts for the furnace to light on the initial start, as the nozzle block will not be filled with fuel yet.
4. If the furnace will not light, proceed to the troubleshooting section of the manual or call EnergyLogic for technical support.
5. **⚠ WARNING** Continue to the next section for important checks and adjustments.

7.4.3 Burner System Checkout

Once the furnace starts operating, make the following checks and adjustments:

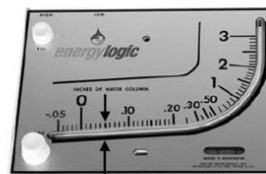
⚠ WARNING *If you are unable to obtain the proper adjustments, do not run the furnace. If you cannot resolve the issue, call EnergyLogic Technical Services for assistance.*

Blower Operation: Within the first two or three minutes after the furnace starts, make sure that the blower turns on and directs warm air into the room. If not, this may indicate a problem with the Fan & Limit Control or the fan wiring. Shut down the furnace and diagnose the issue or call EnergyLogic Technical Service for assistance.

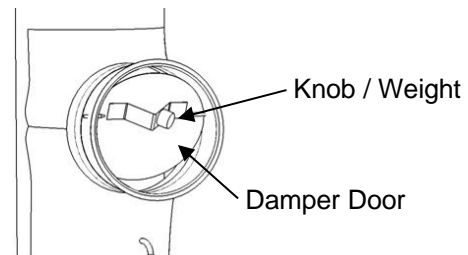
Exhaust System: Check that the flue exhaust is flowing properly, and there are no exhaust leaks inside the building. Check the outside flue pipe to ensure that no black smoke is present. If smoke is present and the draft is correct (see adjustment procedure below), call EnergyLogic Technical Support for assistance.

Draft Adjustment: After operating the furnace for about 15 minutes, verify the draft gauge is reading 0.05 inches of water column, WC (refer to figure).

Draft Gauge



0.05 Inches WC



Draft reading and adjustment

- If the draft gauge reading is less than 0.05 inches of WC: Loosen the adjustment weight on the barometric damper door, then slide it to the right or closer to the damper door pivot axis, and retighten it.
- If the draft gauge reading is more than 0.05 in. WC: Slide the weight to the left or away from the damper door pivot axis, and retighten it.
- Verify that the reading remains at 0.05 inches of WC with exhaust fans and vented appliances on in your building and all doors and windows closed. **⚠ WARNING** *A negative pressure inside the building may impede intake of combustion air to the burner, which may result in a hazard from smoke inhalation and/or fire. Use of exhaust fans in your shop without adequate make-up air may create a negative pressure. There are other possible causes as well. Corrective measures must be taken if the correct draft setting cannot be achieved.*

⚠ WARNING *If you are unable to adjust the damper door to obtain 0.05 inches WC, there is not enough draft for proper exhaust. Do not run the furnace under this condition. If you cannot resolve the issue, call EnergyLogic Technical Support for assistance.*

Note: The draft gauge should read 0.0 inches of WC when the draft gauge probe is removed from the stack. (If not, make sure the gauge is level, and readjust the zero knob.) If the furnace

is not running, the draft gauge with the probe installed into the stack will read near zero, but depending on ambient conditions may fluctuate between 0 and 0.03 inches of WC.

⚠ CAUTION *The probe may be hot.*

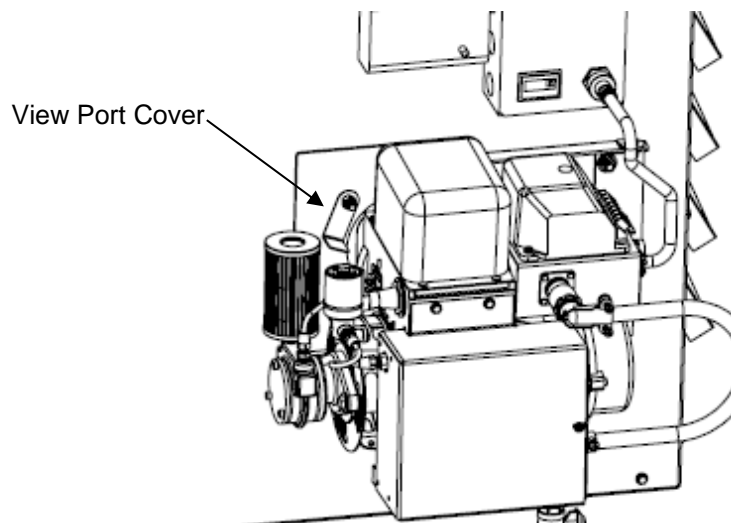
Fuel Pressure Gauge: The fuel pressure gauge on the pump outlet should read approximately 3-30 psi, with the higher pressures for longer runs or colder fuel.

- If the fuel pressure reading is high, inspect the fuel tubing between the pump and burner. Look for crimped tubing or obstructions in the preheater or nozzle block assembly. Repair as necessary.

Vacuum Gauge: The vacuum gauge on the inlet of the pump should read between 0 and 5 inches of mercury (Hg) for a Side Suction system. For Top Suction systems, the vacuum reading should be between 1 and 6 inches of Hg.

- If the vacuum reading is reading above normal, check the following:
 - Inlet to the suction line is clear of obstructions and all valves (including fire stop valve) are open.
 - Fuel filter must be clean (was it clogged with sludge from the tank?).
 - Oil must be above 50°F (10°C).
 - Review how the pump is mounted compared to the instructions.

Burn Quality – Visual Check: When the burner is operating properly, the flame is bright yellow. To verify the flame color, rotate the viewport cover on the burner door clockwise, as shown in figure. View from a distance of at least 18 inches (46 cm). Close the viewport after checking the flame. If the flame is other than bright yellow, this indicates improper combustion. Contact EnergyLogic Technical Support for help. **⚠ CAUTION** *The burner door and view port cover are hot. Wear gloves and safety glasses when inspecting the flame. View from a distance of at least 18 inches (46 cm).*

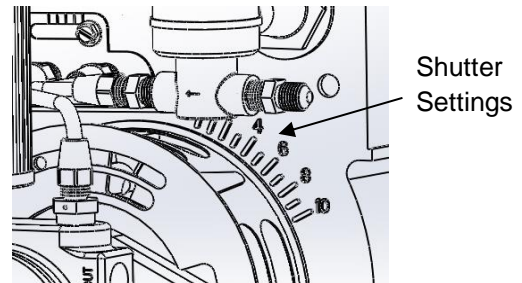


Visual Flame Inspection

Burn Quality – CO₂ Exhaust Measurement: A qualified service technician with an exhaust combustion analyzer can make adjustments to the air shutter if required. Measurements are taken through the draft gauge probe port. Exhaust gas carbon dioxide readings should be as follows for a clean furnace:

- EL-140H / EL-200H = 10 – 11%
- EL-350H = 11 – 12%

A qualified service technician may adjust the air shutter settings if necessary. Some burners have an adjustable inner slotted air band, along with the outer adjustment shutter plate. To adjust the plate, loosen the locking screws, then rotate the shutter and retighten the locking screws. The slotted air band should not require adjustment. A higher number allows more air into the burner. A lower number setting allows less air. The factory settings shown below normally work well, but higher altitude locations may require adjustments:



Shutter Adjustment

- EL-140H: 5 for Plate – Closed Air Band
- EL-200H: 7 for Plate – Closed Air Band
- EL-350H: 4 for Plate – 4 for Air Band

Burn Quality – Smoke Measurement: A qualified service technician may measure smoke content, following procedures of his smoke pump.

- Acceptable results per smoke pump comparison chart = zero or #1 smoke spot.
- A yellow- brown smoke spot color is normal when burning used oil due to the presence of non-combustibles.
- The absence of black or dark grey soot indicates complete combustion.

Flame Monitoring Cad Cell: A qualified service technician may check the cad cell [Flame on]

- Disconnect the cad cell leads from the FF terminals on the controller.
- Using TT and FF jumpers, run the furnace.
- Measure the resistance (ohms) of the cad cell by probing across the cad cell lead wires.
- An acceptable resistance is in the range of 0 – 500 ohms for a new burner and heat exchanger with the flame on.
- Remove the TT jumper to lose the flame. The resistance reading with no flame should be greater than 5000 ohms. Your meter may register “OL” if out of limit.
- Make sure all jumpers have been removed when testing is complete.

7.5 Everyday Operation of Your EnergyLogic Used Oil Furnace

Once installed and checked, operate your EnergyLogic Furnace as follows:

Daily Operation.

- Set the room thermostat to the desired temperature.
- You should not let the temperature of the room get below 50°F (10°C), or the oil will become thick and may present fuel delivery issues.
- To shut down the furnace in an emergency, turn off the power at the user-installed, switched junction box or main breaker.

Manage the Used Oil.

- Do not put unapproved substances into your used oil storage tank. See section 1.5.1 for a list of approved fuels.
- Monitor the bottom of your tank for water and drain it off on a regular basis.
- Don't let your oil tank run dry. Don't risk introduction of air into the fuel delivery system. You will save yourself much time and trouble by keeping your tank filled with oil. If you don't have one, consider installing an optional EnergyLogic Low-Fuel Cut-Off Switch to turn off the furnace at low fuel levels.
- When filling the tank be careful not to agitate the oil so that air/sludge are not introduced into the fuel pump.
- Pre-screen the oil prior to putting it into the tank. Occasionally have your tank drained and cleaned.

Monitor the System.

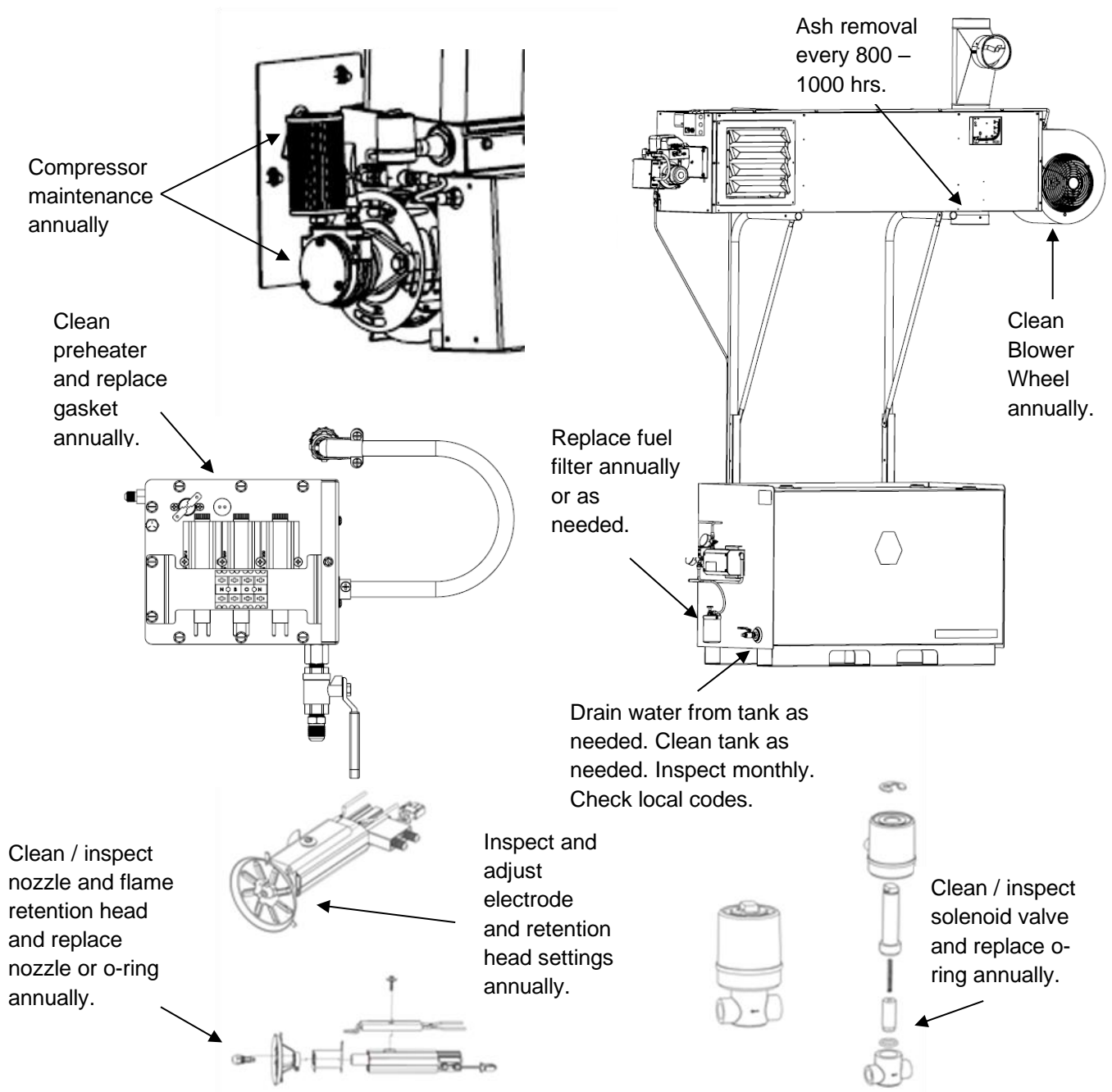
- After your initial set up, monitor the system gauge readings on a regular schedule to assure that the system is stable. Record the readings and any maintenance performed in the maintenance log (refer to section 8) to track your system performance over time.
- Maintain your furnace. Regular maintenance will help to keep the furnace running reliably and efficient for many years.

Summer Blower Operation and Shutdown

- Perform seasonal maintenance.
- In summer months, the blower may be used to circulate room air. To run the blower fan manually, the white button on the Fan & Limit Switch may be pushed in, or the toggle switch may be flipped to the side that says "MAN", depend on the model. To set the controller back to automatic mode, the button may be pulled out or switched to "AUTO".
- If power to the heater is left on during the summer in order to operate the blower, unplug the burner to prevent coking the oil in the preheater and nozzle block.
- Refer to shutdown procedure in Section 8.6.

8. Maintenance

Regular maintenance is required to keep your EnergyLogic furnace operating reliably and efficiently. For best results, purchase an annual maintenance kit (PN 81012154 for EL140/200 or 81012155 for EL 350), which includes nozzle, preheater/drip cap/burner/solenoid gaskets and o-rings, as well as fuel and air compressor filters. An EnergyLogic burner maintenance brush kit (PN 05000071) and a furnace cleaning tool (PN 14033227 for EL 140/200 or 04000279 for EL 350) are the best tools to use for cleaning the burner and heat exchanger.



8.1 Service Contracts

If you are not qualified or do not wish to perform the furnace maintenance yourself, contact EnergyLogic for the location of our nearest dealer or service provider. Putting a service contract in place is the best way to make sure that the required maintenance is completed regularly and your system will operate reliably when needed, saving you both time and money.

8.2 Safety Warnings – Lockout/Tagout

There are many potential hazards associated with working on this equipment, including electricity, heat, heights, dust and chemicals. **⚠ DANGER** *Make sure the main electrical circuit is off and locked out / tagged out prior to performing maintenance.* **⚠ CAUTION** *Wear proper safety equipment for the tasks, including a HEPA quality dust mask to avoid inhalation of ash dust when cleaning the heat exchanger or flue. Use suitable access aids/equipment when working on the furnace. Do not climb on the furnace. General safety rules and precautions should be followed at all times to prevent any accidents that could lead to personal injury or property damage. Only those qualified should perform these tasks.*

8.3 Monitoring System Performance over Time

EnergyLogic recommends that you monitor and record your system gauge readings regularly over time, in order to diagnose issues that may arise. For example, if the pump vacuum gauge initially read 2 inches Hg, but over time has risen to 10 inches Hg, it is an indication that the fuel filter is most likely clogged up. Record the system gauge readings on your maintenance schedule and log. Have this log handy if you call EnergyLogic for technical support.

8.4 Maintenance Schedule and Parts

The recommended maintenance interval and log is shown on the following page. Check your local codes and regulations for maintenance frequency requirements that may take precedence. Use of certain fuels or other conditions may require more frequent maintenance. Make a copy of the maintenance log and use it to record the maintenance and system performance readings over time. Contact your EnergyLogic dealer or call EnergyLogic for service parts. EnergyLogic offers convenient annual maintenance kits and cleaning tools made specifically for your furnace. Economical bulk packs of fuel and air filters are available as well.

⚠ CAUTION The maintenance schedule is the minimum recommended, but if you see smoke or have trip outs then the unit must be shut down and serviced immediately before running it again. Increase the maintenance as your situation requires.

Also, check out EnergyLogic's technical support page for additional information and demonstration videos at www.energylogic.com/support:





Used Oil Burning Furnace Maintenance Schedule and Log

Customer / address: _____

Unit ID: _____

Pump ID: _____

Have this record available when calling for support.

Service	Schedule	Initial and Date of Service:
Clean ash from heat exchanger, flue, damper, and draft gauge probe	800 to 1,000 hours of operation (or as required by code)	
Replace fuel filter	Annually or when clogged (vacuum gauge reading increases more than 5 in. Hg compared to clean filter).	
Drain fluid (water) from bottom of tank	Check monthly, drain as necessary.	
Clean in-tank fuel pickup strainer for non-EnergyLogic Workbench Tanks	As needed.	
Clean fuel tank	As needed or required by code.	
Clean preheater assembly	Annually	
Clean blower wheel	Annually	
Clean nozzle line assembly	Annually	
Check retention head & electrode settings	Annually	
Clean solenoid valve	Annually	
Check air compressor pressure performance, replace filter.	Annually	
Clean cad cell lens	Annually	
Check/replace burner gasket	Annually	
Test fire furnace after maintenance and check for proper burner adjustment	After Annual Maintenance	
Gauge Readings (After Maintenance)	Pump Vacuum Reading:	
	Pump Pressure Reading:	
	Draft Gauge Reading:	
	Hour Meter Reading:	

Service Company: _____ Contact: _____

Address: _____ Phone: _____

* This schedule is the minimum recommended. If you see smoke or have trip-outs then the unit must be shut down and serviced immediately. Increase the maintenance as your situation requires.

8.5 Maintenance Procedures

The following sections provide detail on how to perform the recommended maintenance. If you have questions or need assistance, contact EnergyLogic Technical Service.

8.5.1 Heat Exchanger Cleaning

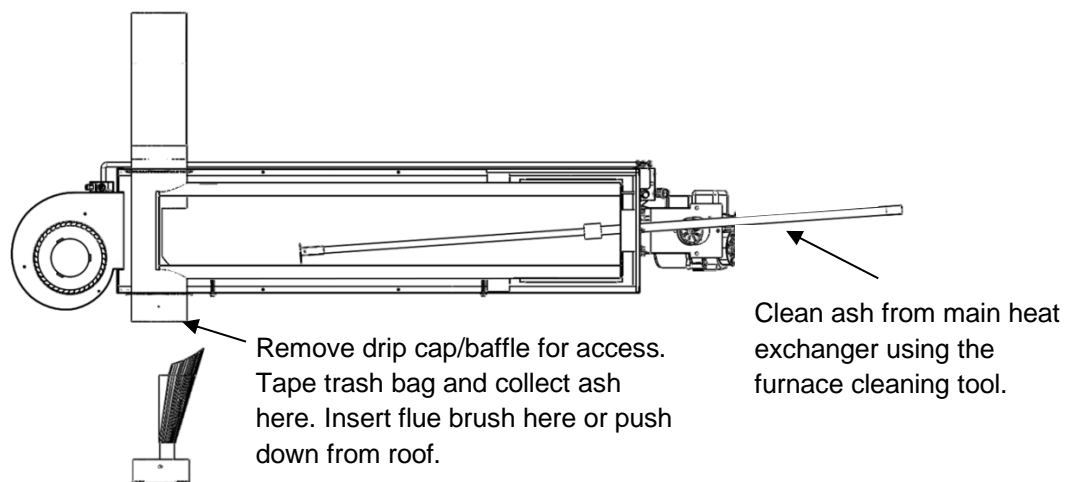
How often?

Clean ash from heat exchanger once every 800 to 1,000 hours of operation (*or if there are signs of incomplete combustion or smoke*). Or, to remove accumulated oil as needed.

Tools Required:

5/16 in. & 1/2 in. sockets, 3/4 in. open-ended wrench, EnergyLogic Furnace Cleaning Tool (PN 14033227 for the EL-140H and EL-200H; PN 04000279 for the EL-350H), chimney brush, small pipe brush, work gloves, dust mask and safety glasses, large heavy-duty plastic trash bag and duct tape. For your convenience, EnergyLogic offers flue brush accessories.

⚠ DANGER Personally verify that the main power is turned off and locked out at the circuit breaker.



Main Heat Exchanger Cleaning -140H and EL-200H

Procedure for Heat Exchanger Cleaning, EL-140H and 200H:

1. **⚠ CAUTION** If the furnace is hot, allow it to cool before cleaning. Wear all safety equipment.
2. Unplug the burner at the cabinet wiring box.
3. Close the hand valve on the bottom of the preheater.
4. Disconnect the 3/8 in. copper fuel tubing at the bottom of the preheater.
5. Remove the four burner mounting nuts and swing burner open.
6. Remove the two screws from the Drip Cap (located on the bottom of the unit away from the burner) and slowly lower the cap and baffle to keep as much ash in the cap as

possible (refer to figure). **⚠ CAUTION** Beware of falling parts that may create a crush hazard.

7. Tape the opening of a trash bag to the Drip Leg with duct tape, so ash will fall into the trash bag.
8. Accessing the interior of the heat exchanger through the burner opening, use the furnace cleaning tool or brush to push the ash to the opposite end of the exchanger, out the clean out port, and into the trash bag. A shop vacuum may also be used to remove ash.
9. Gently tap the flue pipe and allow ash to fall into the trash bag.
10. Remove the trash bag and insert the chimney brush into the flue.
11. Reattach the trash bag, then reach through the bag, grab the brush and clean the ash from the flue pipe by running it through the flue pipe. Clean all flue pipe from other access points if extension rods do not reach from the bottom of the furnace.
12. Remove the trash bag/brush and properly dispose of the ash.
13. Inspect the cleaned heat exchanger and flue. If damaged, replace damaged parts.
14. Inspect the Drip Cap gasket. If damaged, replace the gasket (PN 20933118).
15. Reattach the Drip Cap. Make sure that the baffle is facing the burner (refer to figure). Use existing screw holes and replace screws.
16. Inspect Burner Gasket. If damaged, replace the gasket (PN 20910103).
17. Swing the burner over the four studs to close and reinstall the nuts.
18. Reinstall the fuel tubing on the preheater and open the hand valve.
19. **⚠ WARNING** Make sure to perform start-up (7.4.2) and system checks (7.4.3) after every maintenance cycle. Record the checks, maintenance performed, and gauge readings in the maintenance log.

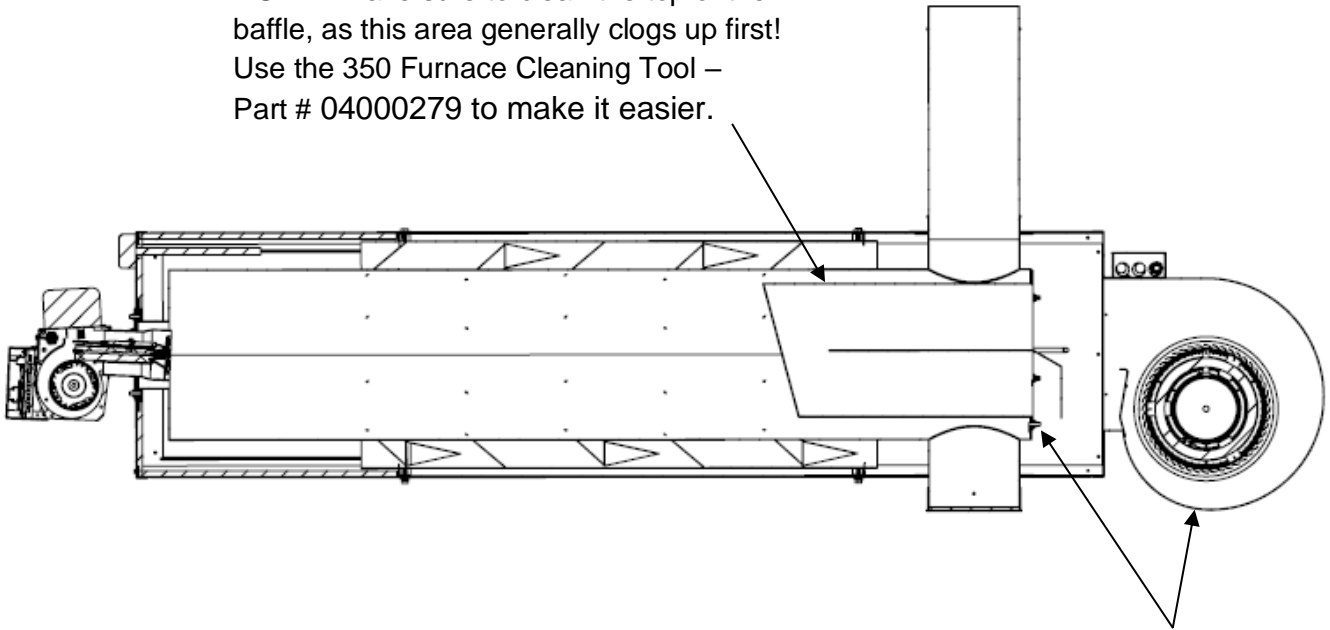
Procedure for Heat Exchanger Cleaning, EL-350H:

1. **⚠ CAUTION** If the furnace is hot, allow it to cool before cleaning. Wear all safety equipment.
2. Unplug the burner at the cabinet wiring box.
3. Close the hand valve on the bottom of the preheater.
4. Disconnect the 3/8 in. copper fuel tubing at the bottom of the preheater.
5. Remove the four burner mounting nuts and swing burner open.
6. Remove the two screws from the Drip Cap (located on the bottom of the unit away from the burner) and slowly lower the cap off of the clean out port, keeping as much ash in the cap as possible.
7. Tape the opening of a trash bag to the clean out port, so ash will fall into the trash bag.
8. Accessing the interior of the heat exchanger through the burner opening, use the furnace cleaning tool (optional accessory – part # 04000279) or brush to push the ash to the opposite end of the exchanger into the trash bag. A shop vacuum may also be

used to remove ash. Gently tap the flue pipe and allow ash to fall into the heat exchanger and trash bag.

9. Make sure to clean the ash from the top of the baffle (where the flue pipe connects).
10. The flue pipe should be cleaned at least once a year, and whenever it becomes clogged with ash and/or soot.
11. The flue pipe can be cleaned with a flue brush from the roof by removing the rain cap, or from the bottom cleaning port by removing the blower from the cabinet and the baffle from the heat exchanger.
12. To remove the blower from the cabinet, make sure the power is off. Then disconnect the blower power wires in the junction box. Then remove the screws holding the blower to the cabinet and carefully slide it off (**⚠ CAUTION** Blower is heavy.).
⚠ DANGER *Personally verify that the main power is turned off and locked out at the circuit breaker.*
13. Remove the five nuts holding the baffle in the heat exchanger and pull the handle to slide it out.
14. Remove the trash bag and insert the chimney brush into the flue.
15. Reattach the trash bag, then reach through the bag, grab the brush and clean the ash from the flue pipe by running it up through the flue pipe. Clean all flue pipe from other access points if extension rods do not reach from the bottom of the furnace.
16. Remove the trash bag/brush and properly dispose of the ash.
17. Inspect the cleaned heat exchanger and flue. If damaged, replace damaged parts.
18. Inspect the Drip Cap gasket. If damaged, replace the gasket (PN 20933118).
19. Reattach the Drip Cap. Use existing screw holes and replace screws.
20. Clean and reinstall the baffle. Replace the baffle gasket if necessary (PN 06000584).
21. Clean up any ash that spilled inside the cabinet.
22. Clean and reinstall the blower (see next section) and reconnect the blower power wires.
23. Inspect Burner Gasket. If damaged, replace the gasket (PN 20910103).
24. Swing the burner over the four studs to close and reinstall the nuts.
25. Reinstall the fuel tubing on the preheater and open the hand valve.
26. **⚠ WARNING** Make sure to perform startup (7.4.2) and system checks (7.4.3) after every maintenance cycle. Record the checks, maintenance performed, and gauge readings in the maintenance log.

NOTE: Make sure to clean the top of the baffle, as this area generally clogs up first!
Use the 350 Furnace Cleaning Tool –
Part # 04000279 to make it easier.



The Blower and Internal Baffle can be removed from the blower end of the cabinet for access to clean the flue pipe from the bottom with a flue brush.

⚠ CAUTION The blower must be disconnected from the power harness before removal. Make sure the main power is shut off and locked out before working on the blower.

⚠ CAUTION The blower is heavy. Use safe practices for lifting.

Main Heat Exchanger Cleaning - EL-350H

8.5.2 Blower Cleaning

How often?

Annually, or as needed.

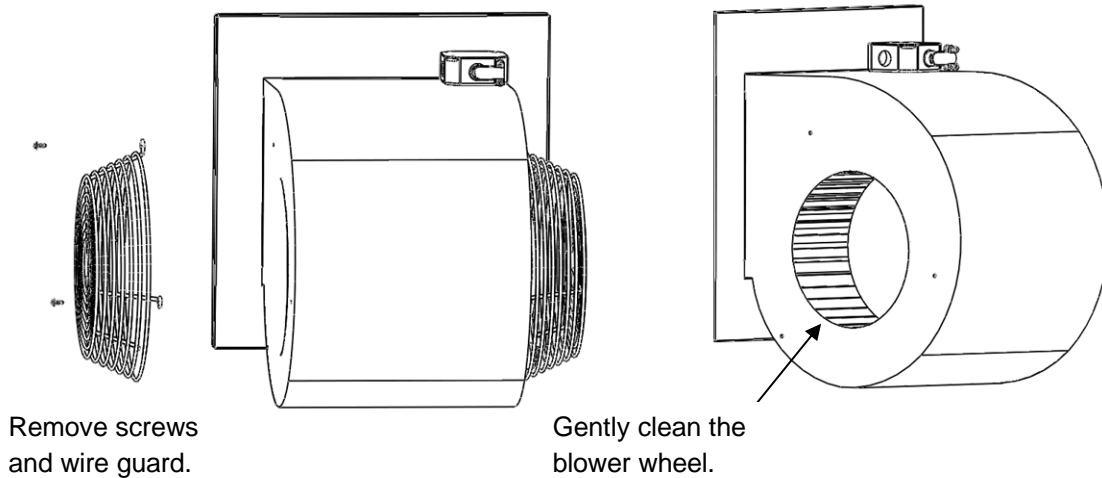
Tools Required:

Screw or 5/16" nut driver, pipe brush, shop vacuum, work gloves, dust mask and safety glasses.

⚠ DANGER Personally verify that the main power is turned off and locked out at the circuit breaker.

Procedure - All Models:

1. Wear all safety equipment.
2. Remove wire guard from the Blower Wheel side (refer to figure).
3. Using a small pipe brush and shop vacuum, gently clean dust from the Blower Wheel Blades. Be careful not to damage the blades.
4. When finished, reattach the wire guard.



Blower Cleaning

8.5.3 Fuel Oil Filter Replacement

How often?

Replace filter once per year or when clogged (when the vacuum gauge reads 5 inches Hg higher than readings taken with a clean filter).

Tools Required:

Safety glasses, rubber gloves.

Replacement Parts:

EnergyLogic Spin-On Fuel Filter (PN 20270185)

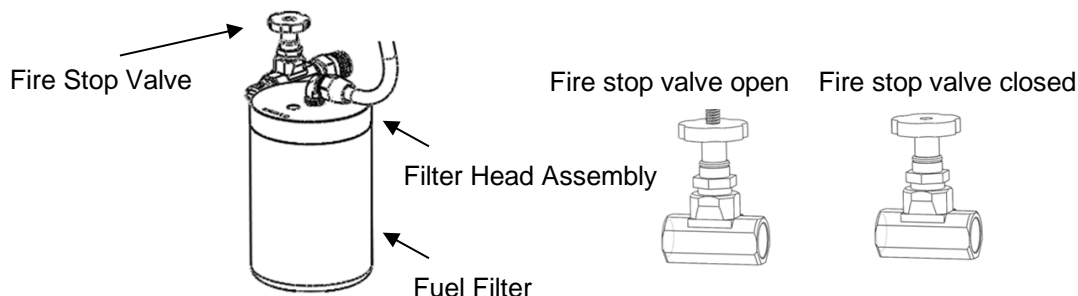
Filter Specs:

- Hydraulic Filter - 140 Micron/Metal Mesh
- For use with waste oil and fuel oils not heavier than No. 4
- Max. working pressure - 12 psi
- Max. flow capacity - 25 GPM

NOTE: Use only genuine EnergyLogic parts to avoid damage and maintain UL status. Paper filters can release fibers that will clog the pump and/or nozzle.

Procedure - All Models:

1. Wear all safety equipment.
2. Close the Fire-Stop Valve or ball valve(s) at the filter head.
3. Use a filter wrench to spin the Fuel Filter off the Filter Head Assembly - counter-clockwise. Dispose of the fuel filter properly.
4. Clean any debris from the strainer housing.
5. You may fill new Fuel Filter with non-synthetic ATF to quicken the priming process. Do not use new motor oil or synthetic ATF to fill the filter.
6. Spin the Fuel Filter onto the Strainer Housing - clockwise. Hand-tighten the filter. Record the meter hours and date on the new filter.
7. Open Fire-Stop Valve or Ball Valve.
8. Refer to Section 7.4.1 "Fuel System Priming" for the priming procedure to ensure no air remains in the fuel system.



Fuel Filter Replacement

8.5.4 Preheater Cleaning

How often?

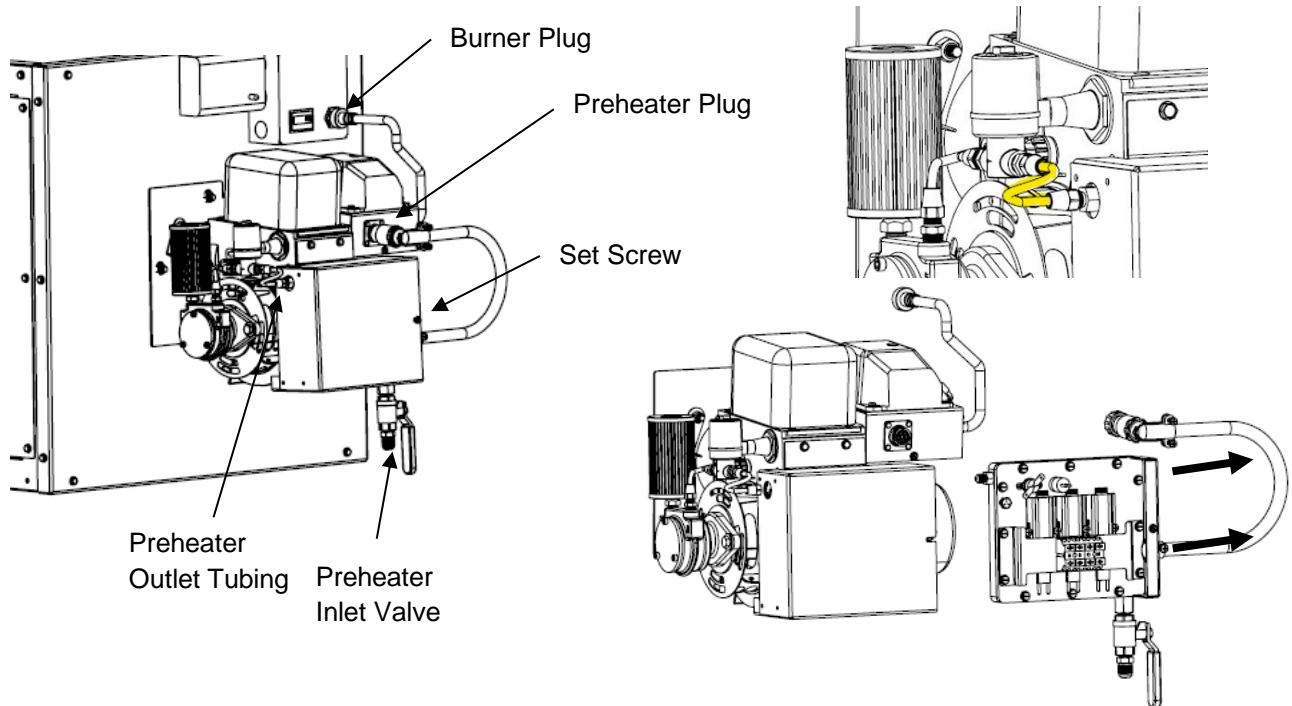
Once per year, or as needed.

Tools Required:

$\frac{3}{4}$ " wrench, $\frac{7}{16}$ " wrench (x 2), adjustable wrench, Phillips screwdriver, $\frac{1}{4}$ " and $\frac{5}{16}$ " nut drivers, torque wrench, wire brush, safety glasses, rubber gloves.

Replacement Parts:

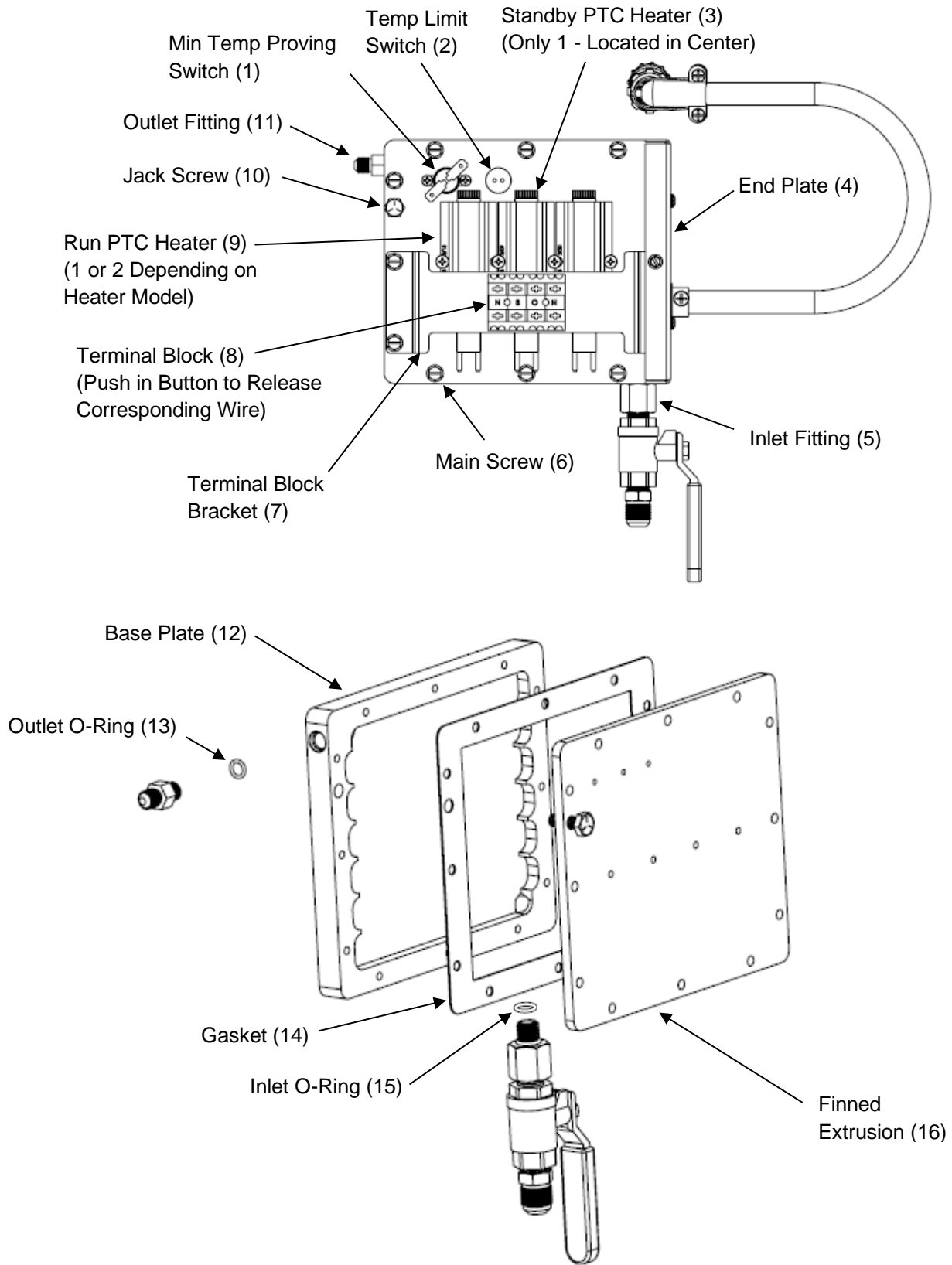
Preheater Gasket – Part #: 76001184, Inlet O-Ring – Part #: 76001386, Outlet O-Ring – Part #: 76001205



Removing Preheater from Burner

Procedure - All Models (refer to figures):

1. Wear all safety equipment.
2. Unplug the burner at the cabinet wiring box by first rotating the connecting ring counterclockwise until it is loose and then pulling out the plug.
3. Unplug the preheater at the burner wiring box by first rotating the connection ring counterclockwise until it is loose and then pulling out the plug. Allow the preheater to cool. **⚠ CAUTION** Until the preheater has cooled, the parts and the oil are hot.
4. Close the preheater inlet valve and disconnect the fuel tubing from the inlet and outlet ports of the preheater. **NOTE:** Use one wrench to keep the fitting connected to the preheater from turning, and a second wrench to loosen the flare nut. Have a rag ready to soak up any oil that spills.
5. Loosen the set screw and slide the preheater out of its mounting box. Keep the preheater vertical to keep oil from leaking out.
6. Hold the preheater over a bucket or an opening in your tank and open the hand valve to allow the oil to drain from the preheater.



Preheater Components

NOTE: Prior to disassembling the preheater, it is recommended that you take a picture for reference later. Refer to figures on the previous page.

NOTE: DO NOT disassemble the preheater unless you have a replacement gasket and o-rings. The existing ones may not be reusable. These can be purchased individually or are included in the Burner Maintenance Kits – Part #: 81012154 for the EL-140H/200H and 81012155 for the EL-350H.

7. Remove the two screws holding the Proving Switch (1).
8. Disconnect the Temp Limit Switch (2) wires and unscrew it from the block. **NOTE:** Gently use pliers on the brass base to turn it counterclockwise.
9. Remove the two screws holding the End Plate (4) to the block.
10. Remove the screws holding the PTC heaters (3 and 9).
11. Remove the four Main Screws (6) holding the Terminal Block Bracket (7).
12. Remove the entire electrical assembly without disconnecting the wires and set aside.
⚠ CAUTION DO NOT submerge any of the electrical components in oil or cleaning fluid or they will be damaged. Handle the wiring carefully.
13. Remove the remaining Main Screws (6).
14. Tighten the Jack Screw (10) to separate the Finned Extrusion (16) from the Base Plate (12).
15. Remove the old Gasket (14) from the Base Plate and/or Finned Extrusion.
⚠ CAUTION Be careful not to damage the machined surfaces where the gasket seats, or leaks may occur after reassembly.
16. Unscrew the Inlet and Outlet Fittings (5 and 11) from the Base Plate and remove the O-ring Seals (13 and 15).
17. Use a wire brush and parts washer fluid to clean the Finned Extrusion, Base Plate, and Fittings. Clean thoroughly to remove all loose debris that could come loose and block the nozzle. **NOTE:** It is okay to soak the metal parts in cleaning fluid.
18. Once the parts are clean and dry, reassemble in reverse order. Use a new Gasket (14) and O-rings (13 and 15) to prevent leaks.
19. Loosen the Jack Screw (10), so it does not prevent the plates from coming together.
20. Install the Terminal Block Bracket (7) with four Main Screws (6), hand tight.
21. Install the remaining Main Screws (6), hand tight.
22. Torque all the Main Screws to **35 in-lbs** in a crisscross pattern, starting with the center of each side and working to the corners.
23. Reinstall the End Plate (4) and all the electrical components. Then reconnect the Temp Limit Switch (2) wires that were disconnected.
24. Reinstall the Inlet and Outlet Fittings (5 and 11) with new O-rings Seals (13 and 15).
25. Remount the Preheater onto the burner.
26. Reconnect the fuel tubing to the inlet and outlet fittings of the Preheater.
27. Refer to Section 7.4.1. “Fuel System Priming” for the priming procedure to ensure no air remains in the fuel system.
28. Make sure no leaks are present around the Preheater.
29. **⚠ WARNING** Make sure to perform startup (7.4.2) and system checks (7.4.3) after every maintenance cycle. Record the checks, maintenance performed, and gauge readings in the maintenance log.

8.5.5 Nozzle Line Assembly Cleaning

How often?

Once per year or if the nozzle becomes blocked with debris (if blocked, a higher operating fuel pressure will be seen on the pump pressure gauge).

Tools Required:

7/16 in., 1/2 in., 3/4 in. and 17mm (boxed end/12-pt.) wrenches, 5/8 in. socket/ratchet, 5/8 in. wrench, 1/4 in. nut driver, hex wrench, vise, flat-blade screwdriver, small wire brush or pipe cleaner (from optional maintenance accessory brush kit), parts washer fluid, shop air gun, safety glasses, rubber gloves.

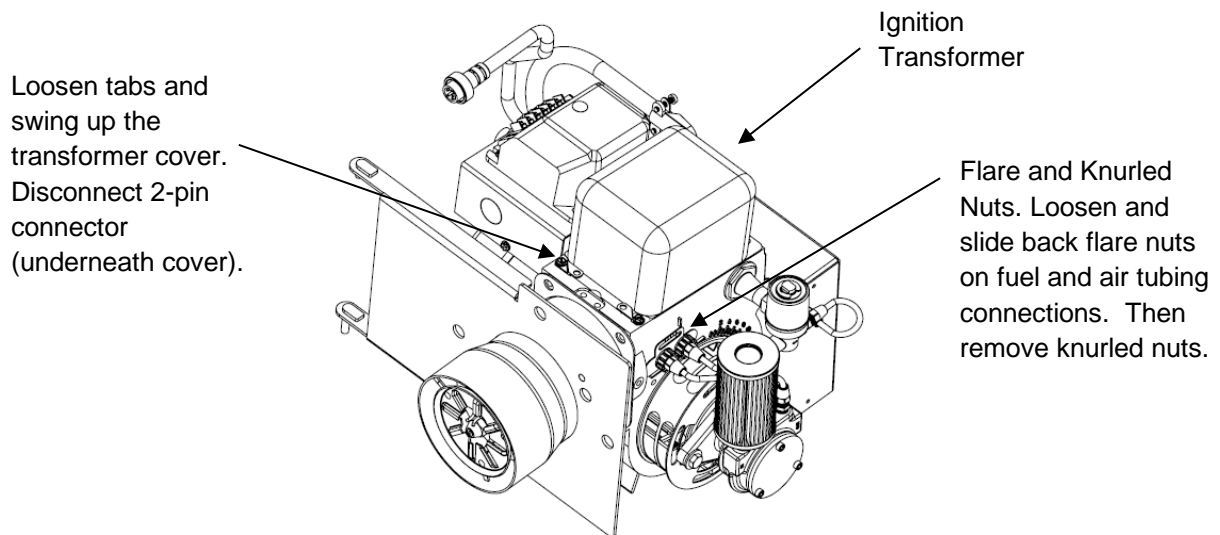
Replacement Parts:

Nozzle O-ring (PN 20213152) or Nozzle (PN 20210123 for EL-140H/EL-200H, PN 20210124 for EL-350H)

▲ DANGER *Personally verify that the main power is turned off and locked out at the circuit breaker.*

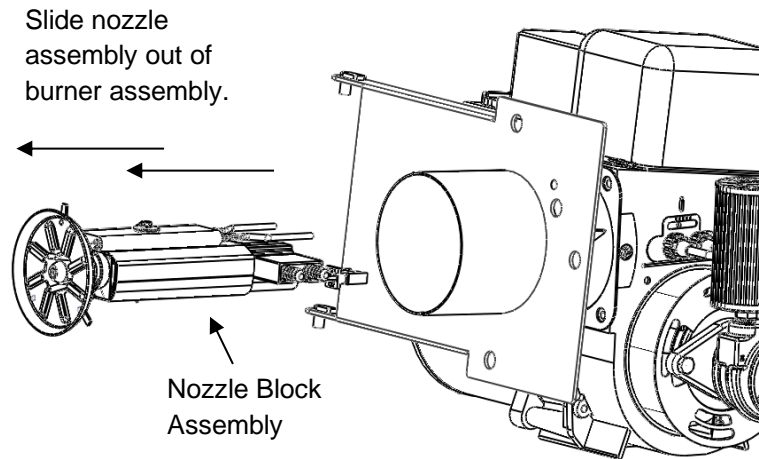
Procedure - All Models (Refer to figures):

1. Wear all safety equipment.



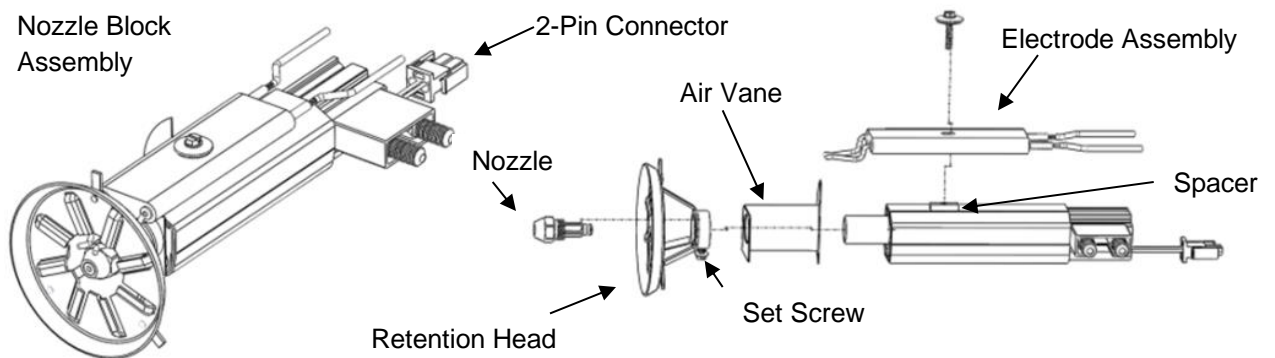
Disconnecting Nozzle Block

2. Remove the burner and preheater from the furnace (refer to previous sections).
3. Using a 7/16" wrench, disconnect the fuel and air tubing at the side of the burner.
4. Using a 17mm boxed-end/12-pt.wrench, remove the knurled nuts (refer to figure).
5. Using a flat-blade screwdriver, loosen the Ignition Transformer screws. Rotate tabs out of the way and lift the Ignition Transformer back on its hinge.
6. Disconnect white nozzle heater two pin connector inside of burner.



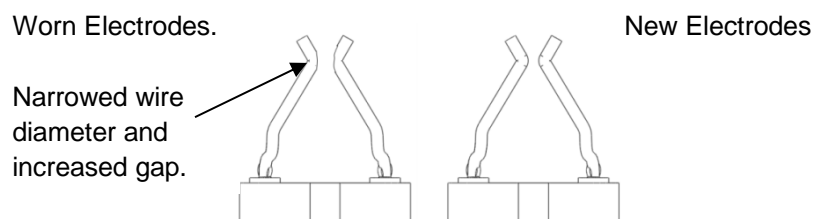
Removing Nozzle Block

- Slide Nozzle Block Assembly out through the air tube.



Disassemble Nozzle Block

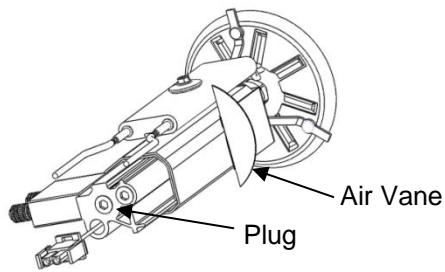
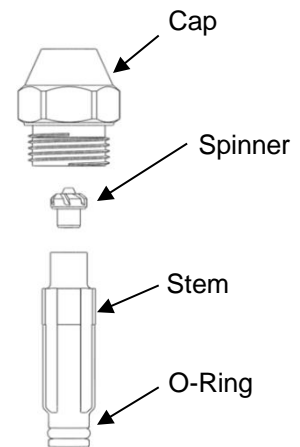
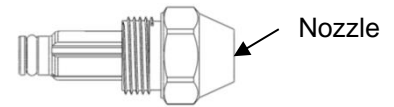
- Unscrew the Electrode Screw and remove the Electrode from the Nozzle Assembly.
- Inspect the electrode wire for excessive wear and the porcelain for cracks - replace as necessary.



Inspect Electrodes for Wear

- Remove the Retention Head by loosening the collar set screw.
- Slide the Air Vane off the Nozzle Line Assembly.
- Using a 5/8 in. socket/ratchet, remove the Nozzle from the Nozzle Block Assembly.

13. Using a pair of pliers and a towel, gently clamp the stem of the Nozzle (a small spinner is loosely contained inside the Nozzle) and spin (counter-clockwise) the cap from the stem. *Skip steps 13-17 if installing new nozzle.
14. Clean all the parts with parts washing fluid.
15. Replace the stem o-ring.
16. Holding the stem vertically, place the spinner on top of the stem. Then, thread the nozzle Cap onto the stem.
17. Tighten the nozzle Cap to the stem.



Passage Plug

Disassemble Nozzle

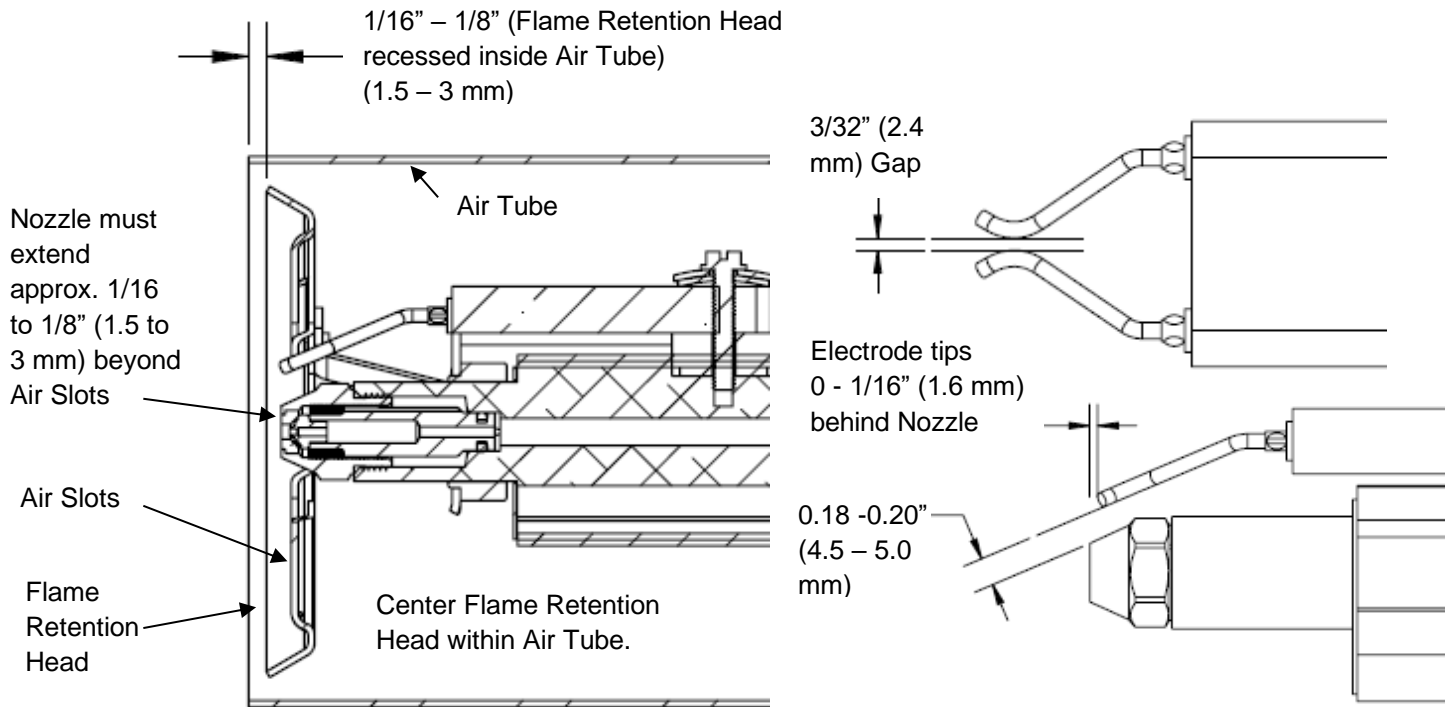
18. The passage through the nozzle block for the nozzle has a plug at the opposite end of the nozzle which must be removed for complete cleaning of the Passage - use thread sealer during reinstallation (refer to figure).
19. **IMPORTANT!** - Being careful not to apply parts washer fluid to the heater wiring harness, clean the nozzle passage of the Nozzle Block. Make sure parts are clean and dry prior to reassembly.
20. Refer to the following section (8.5.6) for Flame Retention Head and Electrode Settings and reassemble the Nozzle Line Assembly. **CAUTION** Be sure to re-install the air vane (shown in figure) in the proper location – opposite side of bulkhead fitting). Failure to install this component properly will result in an off-center flame, which may damage the heat exchanger and void the heat exchanger warranty.
21. **WARNING** Make sure to perform startup (7.4.2) and system checks (7.4.3) after every maintenance cycle. Record the checks, maintenance performed, and gauge readings in the maintenance log.

8.5.6 Retention Head and Electrode Settings

How often?

Once per year (refer to 8.5.5, Nozzle Line Cleaning)

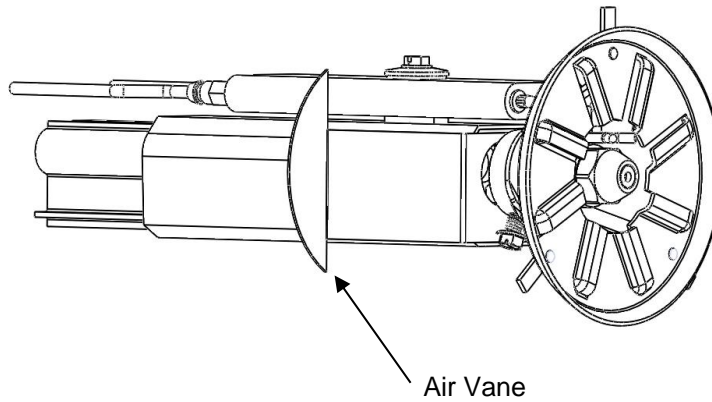
Procedure - All Models.



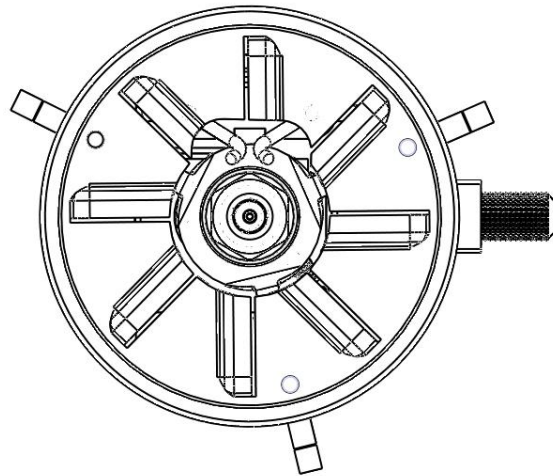
Settings for Retention Head & Electrodes

Refer to Section 8.5.5 for removal of nozzle block and electrode assembly. Inspect the locations of the electrode components. If adjustments are necessary, use needle-nose pliers to adjust electrode wires. Use the following specifications:

- The electrode gap should be adjusted to 3/32" (2.4 mm).
- The tips of the electrodes must be 0" to 1/16" (1.6 mm) behind the face of the nozzle.
- The nozzle face should protrude 1/16" to 1/8" (1.5 to 3 mm) beyond the flame retention head vanes.
- The electrode wires should be parallel to the conical face of the nozzle (looking from the side), and there should be a 0.18" to 0.20" (4.5 to 5.0 mm) gap between them.
- The flame retention head is recessed approximately 1/16" - 1/8" (1.5 – 3 mm) into the air tube.
- The flame retention head is centered within the air tube. If not centered, straighten the centering tabs of the retention head if they are bent. Loosen the knurled nuts, center the retention head and retighten the knurled nuts if necessary.
- Make sure the air vane is properly installed, on the left side when looking from the nozzle end. It should be locked in place by the retention head base.



- Make sure there is a gap between the retention head and the electrode wires to prevent arcing in the wrong place.
- The extra cutout in the center hole of the retention head should be centered vertically, and the electrodes are mounted in that cutout between two legs. A tab on the collar of the retention head fits into the channel on the bottom of the electrode ceramic for alignment. (See figures below.)



**Retention Head &
Electrode Orientation**

8.5.7 Solenoid Valve Cleaning

How often?

Once per year or if the solenoid valve is blocked with debris (higher operating pressure will be seen on the pressure gauge).

Tools Required:

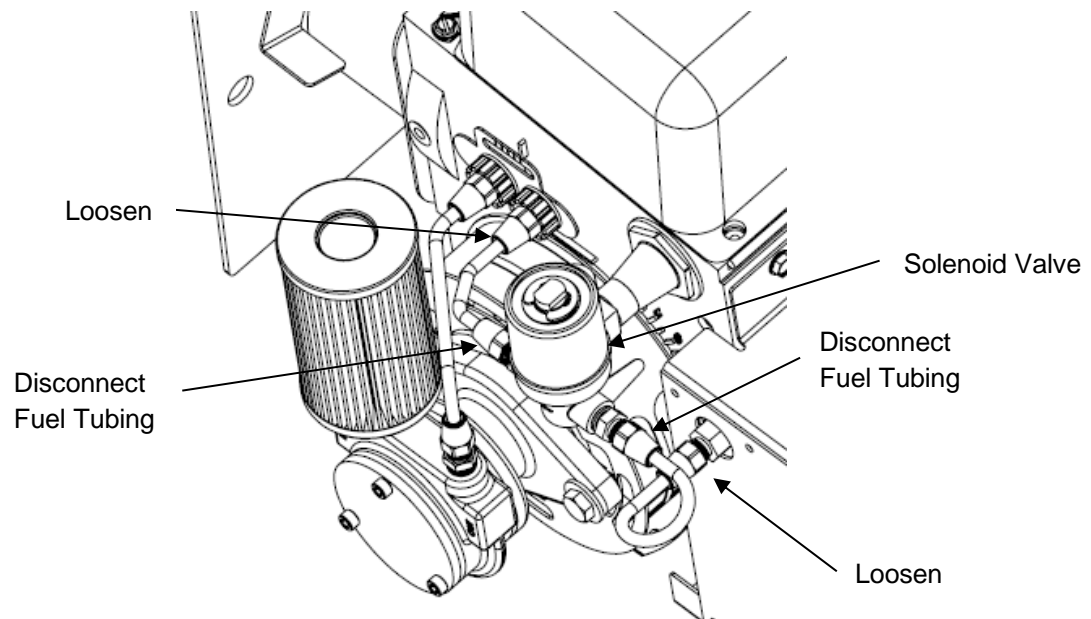
5/16 inch and 7/16 inch wrenches, flat-blade screwdriver, small wire brush or pipe cleaner, pocket pick, parts washer fluid, shop air gun, rubber gloves, safety glasses.

Replacement Parts:

Solenoid O-ring (PN 20293199). Nucleus w/ Spring (PN 20293198).

⚠ DANGER Personally verify that the main power is turned off and locked out at the circuit breaker. **⚠ CAUTION** Small parts – do not drop / lose.

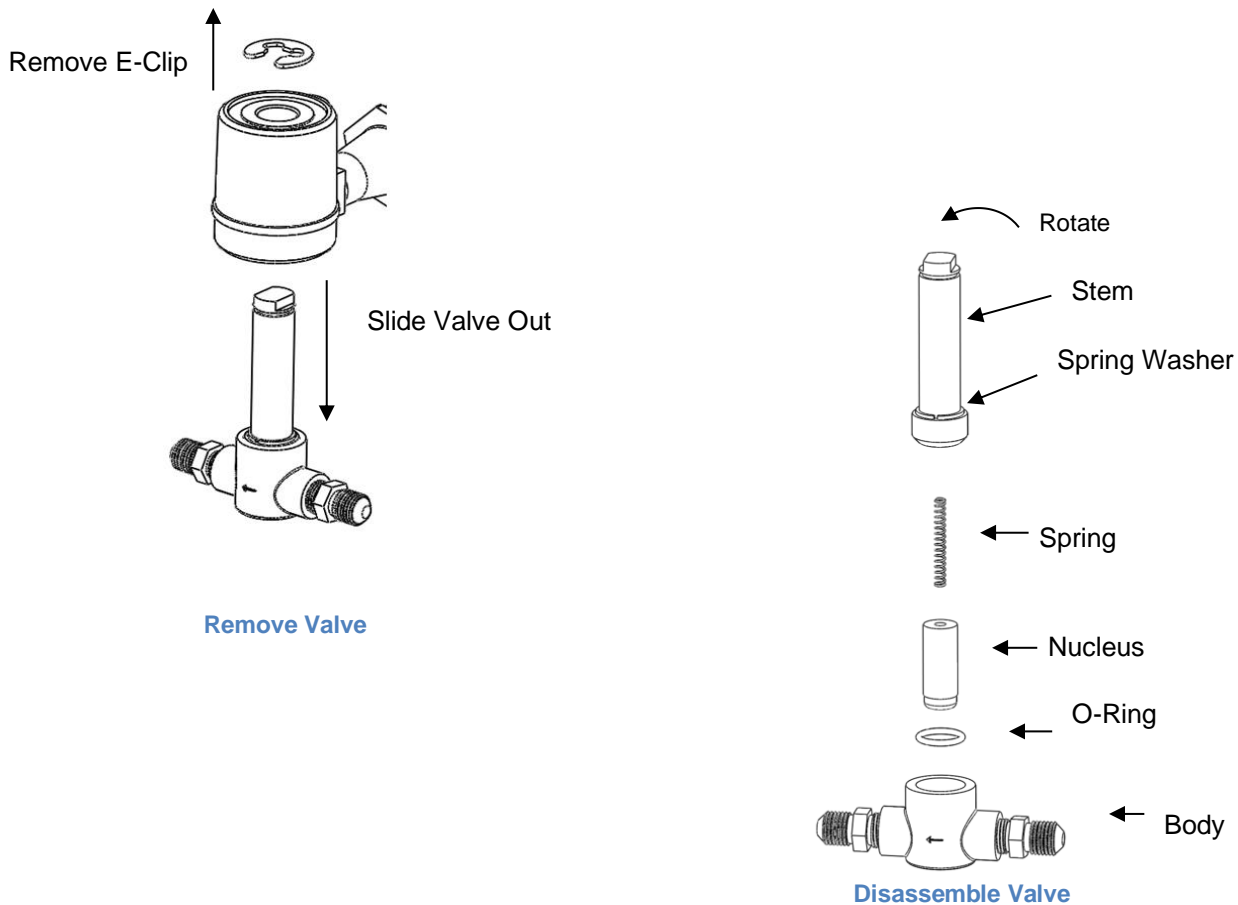
Procedure - All Models (refer to figures):



Disconnect Solenoid Valve

1. Wear all safety equipment.
2. Using a 7/16-inch wrench, remove the two flare fittings from the Solenoid Valve assembly (refer to figure above). **NOTE:** Use a second 7/16" wrench to keep the mating fittings from turning.
3. Loosen the flare fittings at the other end of the fuel tubing at the preheater and burner nozzle block, then rotate the tubing out of the way.

4. Remove the E-Clip from the top of the solenoid (see figure below).
5. Slide the solenoid body and stem from the bottom of the housing (you may need to rotate the housing).
6. Using a 5/16 in. wrench, unscrew the valve stem from the body by turning the stem counterclockwise. Secure the body while turning the stem.
7. Inspect the Body for any abnormalities or debris in the inlet/outlet ports and internal cavity.
8. Inspect the O-ring. Replace if damaged.
9. Inspect the seal at the end of the nucleus and note if it has an excessive impression from where it seals in the internal cavity of the body. Replace if damaged – nucleus and spring, sold separately.
10. Clean out the inside of the stem with parts washer fluid, then blow dry.
11. Remove excessive carbon build up with a small pick, making sure not to damage any surfaces.
12. Reassemble the Solenoid Valve in reverse order of disassembly. Make sure the arrow is pointing in the correct direction of flow.
13. **⚠ WARNING** Make sure to perform startup (7.4.2) and system checks (7.4.3) after every maintenance cycle. Record the checks, maintenance performed, and gauge readings in the maintenance log



8.5.8 Air Compressor Maintenance

How often?

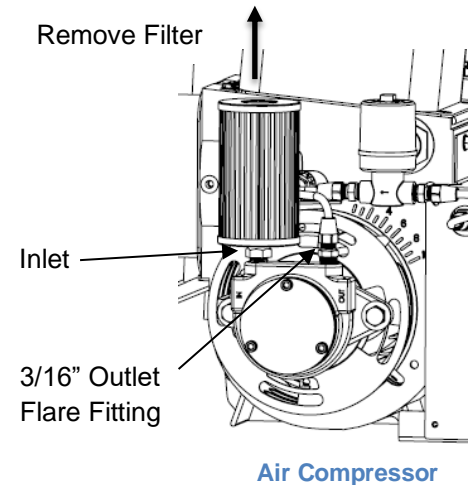
Once per year. More often for dusty conditions.

Tools Required:

1/8-inch Allen wrench, 7/16-inch wrench, flat-blade screwdriver, EnergyLogic Air Compressor Pressure Gauge Kit (PN 05000092), GAST compressor cleaning fluid, shop towel, rubber gloves, safety glasses.

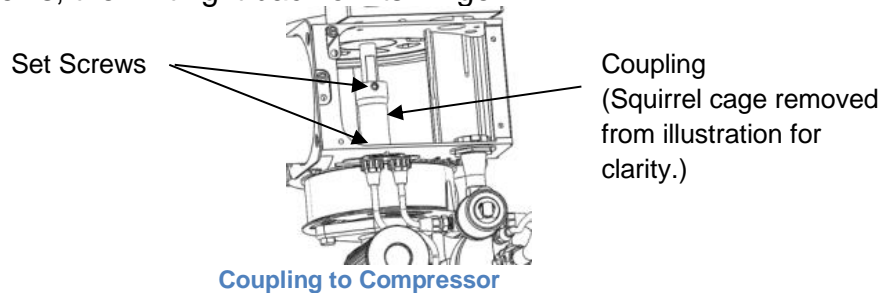
Procedure - All Models (refer to figures):

1. Wear all safety equipment.
2. Replace the compressor air filter annually (PN 20210112).
3. Check the air compressor output by using the EnergyLogic compressor test kit (PN 05000092). Remove the copper tubing that goes from the outlet of the compressor to the bulkhead fitting on the burner. Attach one of the tubes in the kit to the 3/16" outlet flare fitting on the compressor, and the other tube to the bulkhead fitting. Attach both tubes to the gauge in the kit. Be careful to not make kinks in the tubing.
4. Start the burner by moving the wall thermostat above room temperature and note the air compressor output on the gauge. If the gauge reading is in the 9-11 PSI range, the air compressor is operating as designed and no further maintenance is required. Remove the test kit and reinstall the 3/16" tubing, for normal operation.
5. If the gauge reading is below 9 PSI, check/do the following:



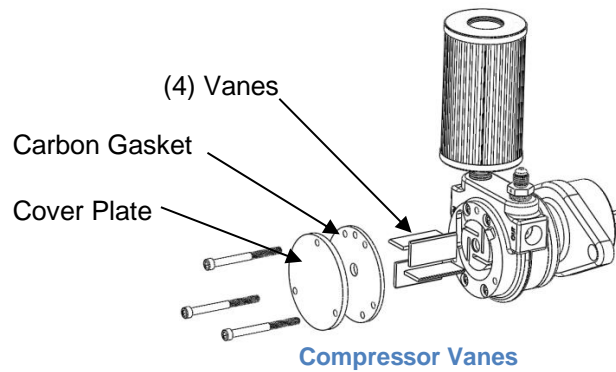
A. Coupling

1. Inspect the air compressor coupling by unplugging the burner, loosening the ignition transformer screws, then lifting it back on its hinge.



2. Carefully spin the squirrel cage by hand and note if the coupling slips on the burner motor or air compressor shaft.
3. If the coupling is slipping, use a long 1/8-inch Allen wrench to tighten the set screw.
4. If the set screws are tight, inspect the metal ends of the coupling for damage. Replace as necessary.

B. Vanes



1. Using a 9/64 inch Allen wrench, carefully remove the air compressor cover plate and carbon gasket.
2. Inspect the carbon gasket for wear—reverse if worn or replace as necessary.
3. Carefully spin the squirrel cage by hand.
4. If the vanes do not move in their slots as the rotor turns, clean the vanes. Clean the vanes and compressor body using Gast compressor cleaning fluid or suitable equivalent. Note: Do not use petroleum solvents, such as engine degreasers. These fluids leave unwanted residues behind that may cause the vanes to stick and/or bind. If the vanes are worn out, you may purchase a vane replacement kit (PN 05000166).
5. Reassemble the air compressor. Be careful not to over-tighten the cover plate.

C. Cleaning

CAUTION Wear Safety Glasses.

1. Disconnect the fitting at the air compressor outlet.
2. Disconnect the preheater outlet tubing from the solenoid valve and run into a bucket to catch the oil.
3. Jump the primary control T-terminals, then F-terminals to operate the burner.
4. Feed several drops of the GAST compressor cleaning fluid into the air compressor inlet and catch the spray at the outlet using a shop towel.
5. Allow the burner to run 3-4 minutes to flush out all the fluid from the air compressor, then remove the jumpers.
6. Replace the air compressor filter, reconnect the outlet tubing.
7. Reconnect the preheater outlet tubing.

8.6 Seasonal Shut Down & Start Up

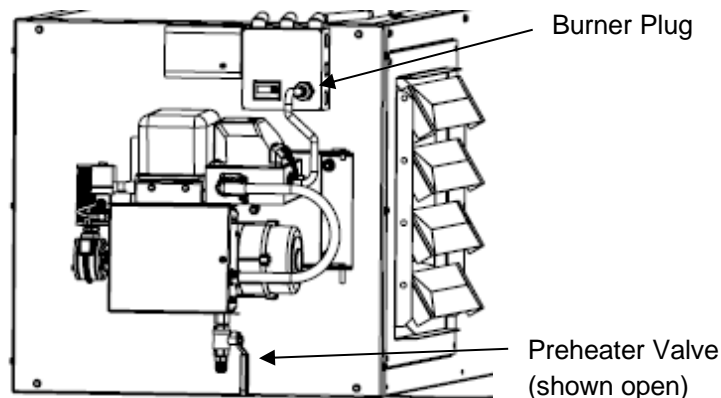
EnergyLogic strongly recommends that you remove power from the preheater when the furnace will not be in use for two weeks or longer. Leaving the preheater on for prolonged periods without fuel flow through it will cause fuel carbonization and sludge to form. A preheater in such a state will not adequately preheat the oil.

Shut Down Procedure (refer to figure):

1. Turn power off to the furnace at the breaker in the building service panel or unplug the burner at the cabinet wiring box.
2. Close the preheater valve—rotate clockwise.
3. Disconnect the fuel line at the preheater inlet.
4. Open the preheater valve and drain the oil from the preheater.
5. Perform annual maintenance. Refer to maintenance log.

Start Up Procedure:

1. Inspect the flue wind cap for obstructions such as bird nests or leaves.
2. Perform annual maintenance tasks if not yet completed. Refer to maintenance log.
3. Make sure that the used oil storage tank has enough oil.
4. Turn power on to the furnace at the breaker or plug the burner in at the cabinet wiring box.
5. Refer back to Section 7.4.1 to re-prime the fuel system.
6. Make sure everything is in place and start the furnace (Section 7.4.2).
7. Perform system checks (Section 7.4.3), and review section 7.5 for operation.
8. **⚠ WARNING** Recheck the systems (Section 7.4.3) to make sure the furnace is operating properly.



Seasonal Shutdown and Startup

9. Troubleshooting

Your EnergyLogic furnace is designed and built for years of reliable service with regular maintenance. Should you experience trouble, refer to this section for troubleshooting guidance. A qualified serviceman may perform the tests in this section.

⚠ CAUTION *Do not tamper with the unit or controls – call your service technician or EnergyLogic for support.*

⚠ DANGER Only qualified servicemen are to perform the testing procedures. Testing may include working with high voltage electricity, which if mishandled may cause serious injury or death.

Start Here – First Steps of Trouble Shooting.

It has been our experience that many problems can be traced to improper installation, improper maintenance, or unintended results from changes made to the system or surrounding structures. So, the first steps in troubleshooting shall always begin with the following:

1. Verify installation and environmental factors. Remember that even if the original installation was properly performed, there can be unintended results from changes made to the building or structure. Common things to verify are:
 - a. Is the fuel in the tank low? Has it run dry, and the pump lost prime?
 - b. Fuel Pump and Filter Installation. Dirty Filter?
 - c. Fuel condition changed (bad fuel, water in fuel)?
 - d. Adequate combustion and make up air. Have exhaust fans or other devices been added to the building that may create a negative pressure within the building? Has another fuel burning appliance been added to the building or room? Consider make up air requirements for all appliances.
 - e. Exhaust Flue System: Check draft setting. Have changes taken place on the roof that might affect the flue stack? Any obstructions (birds' nest, etc.).
 - f. Is the circuit still dedicated, or has it been compromised by the addition of other appliances to the circuit? Is the power clean?
 - g. Do unauthorized persons have access to the system? Have the controls been tampered with? Check factory settings (startup section).
2. Verify maintenance. If maintenance has not been performed timely and properly – STOP – perform ALL maintenance (Sec. 8) before troubleshooting. Smoke, soot, trouble in lighting-off or tripping out can all be caused by lack of maintenance or improper maintenance.

9.1 Troubleshooting Condition Table

Behavior	Part to Check
01. The furnace does not operate when you set the wall thermostat to a high temperature.	<ol style="list-style-type: none"> 1. Wall T-Stat (See Section 9.3) 2. Blower/Fan Limit (See Section 9.3) 3. Burner Motor (See Section 9.2) 4. Burner Plug (See Section 9.2) 5. Primary Controller (See Section 9.3) 6. Preheater (See Section 9.3)
02. The burner runs around 15 seconds then stops and the red button of the primary control requires reset.	<ol style="list-style-type: none"> 1. Burner Motor (See Section 9.2) 2. Primary Controller (See Section 9.3) 3. Cad Cell (See Section 9.3) 4. Tank/Tank Controls (See Section 9.2) 5. Pump/Filter (See Section 9.2) 6. Fuel Quality (See Section 9.2) 7. Transformer/Electrode (See Section 9.3) 8. Air Compressor (See Section 9.2)
03. The burner will not light and fuel pressure is between 3 and 15 PSI (normal) on the pressure gauge at the fuel pump outlet.	<ol style="list-style-type: none"> 1. Go to Behavior Tree 2 Component 6 (See Section 9.2)
04. The furnace has a build-up (coke tree) at the front of the burner in the heat exchanger (combustion chamber) after running many hours.	<ol style="list-style-type: none"> 1. General Action/Question - Boiler ONLY! (See Section 9.2) 2. Solenoid Valve (See Section 9.3) 3. Heat Exchanger (See Section 9.2) 4. Damper Tee/Manometer (See Section 9.2) 5. Air Compressor (See Section 9.2) 6. Pump/Filter (See Section 9.2) 7. Fuel Quality (See Section 9.2)
05. Smoke is seen from the external flue cap or internal damper door, or the furnace is running rough.	<ol style="list-style-type: none"> 1. Go to Behavior Tree 4
06. The unit frequently requires reset in the mornings.	<ol style="list-style-type: none"> 1. Pump/Filter (See Section 9.2) 2. Go to Tree 2 (See Section 9.2)
07. The wall thermostat will not shut the burner off.	<ol style="list-style-type: none"> 1. Wall T-Stat (See Section 9.3) 2. Blower/Fan Limit (See Section 9.3) 3. Primary Controller (See Section 9.3)
08. The furnace no longer provides enough heat.	<ol style="list-style-type: none"> 1. Heat Exchanger (See Section 9.2) 2. Damper Tee/Manometer (See Section 9.2) 3. Burner Motor (See Section 9.2) 4. Air Compressor (See Section 9.2)
09. The burner cycles on and off every few minutes	<ol style="list-style-type: none"> 1. Heat Exchanger (See Section 9.2) 2. Go to Behavior Tree 1 (See Section 9.2)

9.2 Troubleshooting Trees

Part	Action/Question	Response
Air Compressor	1. Check Air Shutter Setting. What is the air shutter setting?	Correct settings are: 140H=5 and 200H=7 with closed Inner Band; 350H=4 with 4 on Inner Band.
	2. See Air Compressor Maintenance (Section 8.5.8) for testing air pressure.	Follow procedure in Section 8.5.8 for Air Compressor Maintenance
Burner Motor	1. Verify the burner motor reset status.	In operational mode - Go to next Action/Question
		Popped up (thermally tripped) - Reset motor by pressing in red button
	2. Verify electrical connections to the terminal strip from the burner under the primary control	If connections are loose, frayed or missing, repair and go to next Action/Question
	3. Visually inspect the coupling and blower wheel on the burner by flipping back the transformer. Is everything tight and free of interference?	Yes - Go to next Action/Question
		No - Remedy the Issue or Replace damage/worn parts
	4. With burner unplugged, try to spin the burner blower wheel.	Yes - Go to Next Component
No - Verify operational status by following the steps in the Air Compressor Maintenance in Section 8.5.8 starting with section B of the Procedure. If okay, replace burner motor		
Burner Plug	1. Check the connections underneath the burner plug casing (male end). Are the connections tight and free of damage?	Yes - Go to Next Action/Question
		No - Repair connections
Damper Tee /Manometer	1. Verify that the door swings freely. What is the reading on the draft gauge with the probe unit running? Is it 0 with the probe removed. If not zero the gauge per instructions in Section 5.3.	Between 0.03 and 0.07, then go to next Component. Otherwise adjust the weight on damper door. If still less than 0.03, then add one piece of flue to exterior or add a draft inducer. If greater than 0.07, add another damper tee and adjust its weight.
Fuel Quality	1. If the oil in the tank is below 50°F, allow for oil to warm or add filter band heater.	Oil going through the pump should be at a minimum of 50°F. This might require heat tape or other methods of heating the fuel
	2. Was fuel recently added?	Yes - Go to Next Action/Question
No - {Skip Next Action/Question}		

	3. What was in the recently added fuel?	Standard Mix - Go to Next Action/Question/Component
		Unknown/Cold/New Oil/Non Standard Mix - Call EnergyLogic Technical Services group for an Oil Analysis to be performed
	4. When was the tank last drained of water and other fall out materials?	Used Oil Storage Tanks should be drained on an annually from the bottom most drain port until only oil flows from the tank
	5. When was the oil last analyzed?	EnergyLogic recommends that an oil analysis be performed annually
	6. Analysis Results (If EL does not have the results, could we get them)	Consult EnergyLogic Technical Services group for oil analysis interpretation
Heat Exchanger	1. Clean Heat Exchanger and Flue: See Heat Exchanger Cleaning in Section 8.5.1.	The entire furnace should be maintained and clean every 800 to 1000 run hours
Pump/Filter	1. Check Fuel Pump Motor. Is the fuel pump motor running while the burner is running?	Yes - Go to Next Action/Question/Component No - See Metering Pump Assembly Testing in Section 9.3
	2. Check Fuel Pressure: Turn furnace on or reset the red button of the primary control. What is the fuel pressure reading (gauge at pump outlet-PSI) while burner is running?	0 or erratically fluctuating then Go to Action/Question 4, or greater than 20 psi, see Nozzle/Solenoid cleaning, or between 3 and 15 (normal) go to Component
	3. Fuel line check. Do the fuel lines contact an exterior/cold wall?	Yes - If fuel line is in contact with an exterior wall, this could result in extra load on the pump. If fuel line is cold, add spacers (at least .5 inches) to eliminate contact with the exterior wall
		No - Go to Next Action/Question
	4. Check Fuel Vacuum: Turn furnace on or reset the red button of the primary control. What is the fuel vacuum reading (gauge at pump inlet-inches Hg) during the time the burner is running?	Zero or erratically fluctuating then Go to Next Action/Question, or 1 to 10 In./Hg then Go to Action/Question 6, or 10 in./Hg or higher (for more vertical suction distance, allow more vacuum) then Replace oil filter -see filter replacement. If you are using a non-EnergyLogic tank with strainer, inspect the strainer for debris.
5. See Metering Pump Assembly Testing Procedure in Section 9.3	If Metering Pump Assembly Tested Good, go to next Component. Otherwise repair/replace necessary components.	

	<p>6. (SKIP - for Gravity Fed Pumps w/plenty of fuel) Check for Air Leaks: Check all fittings from the pump back to the tank for suction side air leaks (make sure pipe sealant is used for all threaded connections). Inspect for cracked flares, tighten fittings and look for cracked lines. If you see no evidence of leaks, try soap and air pressure test on the suction side lines by pressurizing at the inlet where the 3/8 inch copper line that leaves the fire-stop valve at the tank.</p>	Yes - Repair/Replace leaking component(s)
		No - Go to Next Component
Tank/Tank Controls	<p>1. In the tank from which the metering pump is supplied, is the fuel pickup submerged into the oil source?</p>	Yes - Go to Next Action/Question
		No - Fill Tank
	<p>2. Is there continuity across the wires for the Low Level Cutoff Switch?</p>	Yes - Go to Next Action/Question
		No - Replace Switch
	<p>3. Check wire connections from Switch to thermostat plug on primary control. Are all connections properly secured?</p>	Yes - Go to Next Component
		No - Repair connections

9.3 Testing Procedures

⚠ DANGER Only qualified servicemen are to perform the testing procedures. Many of the tests involve high voltage electricity, which if mishandled may cause serious injury or death.

9.3.1 Wall Thermostat Testing (Standard T-Stat – White)

Tools Needed:

Digital Multi-Meter

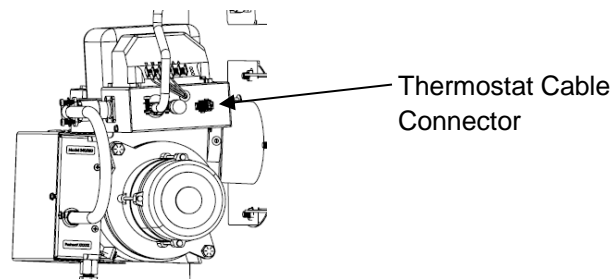
Wall Thermostat Function:

Monitors the temperature of the room and compares it to the set desired temperature. When the room temperature falls below the desired, it sends a signal (by closing a switch providing continuity) to the primary controller initiating the call for heat.

Note: During this test, if the thermostat does not function as stated, call Technical Services for assistance, or Customer Service to order a new thermostat.

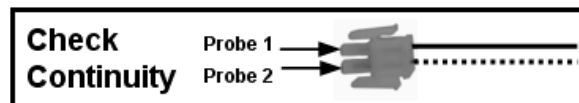
Procedure:

1. Disconnect the Thermostat wires from the burner by removing the T-Stat plug (see image below) and verify the pins on the plug and receptacle are straight and secure.



2. If the system has a Fuel Low Cutoff Switch
 - a. Verify the fuel level in the tank is above the switch float. If not, then remedy.
 - b. Check for continuity across the wires of the float switch.

If no continuity, remove the fuel switch and verify when the float is in the up position, the continuity status. No continuity = replace switch, Continuity = check fuel status
3. Set the thermostat to a temperature higher than the current reading.
4. Using the ohm meter, connect the leads to each of the T-Stat wires at the plug.



5. You should see continuity across the leads, check the wire connections at the thermostat and recheck.

9.3.2 Blower Assembly Testing

Tools Required:

1/8" Allen wrench, 5/16" & 3/4" wrench, Flat-blade screwdriver, 120VAC capable Digital Multi-Meter, alligator clips or a jumper wire and Tachometer

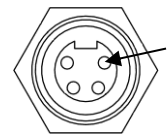
Blower Assembly Function:

Moves air across the Heat Exchanger, once it is above 130°F during the call for heat.

Note: During this test, if the Blower Assembly does not function as stated, call Technical Services for assistance, or Customer Service to order components of the blower assembly. Make sure the blower has recently been maintained.

⚠ DANGER *During a portion of this test, high voltage electrical components will be energized. Only a certified electrician is to perform the following procedures, and with extreme caution.*

⚠ CAUTION *Be aware of spinning blades!*



Procedure:

1. Verify power to cabinet wire box by testing for 120V across the receptacle terminal indicated in the figure and ground.
2. Set the Fan Limit Control to Manual (Push the white button in). The blower should start immediately. If so, check rotation direction. If spinning correct, go to step 8. If spin direction is incorrect, the leads on the motor will need to be switched (call).
3. If not, turn the power supply breaker off and return the fan limit control to Auto (white button out)
4. Remove blower wheel safety cage and verify the blower will freely spin and is clear of interference. If a non-correctable interference is present, replace the blower assembly.
5. Return cage to assembly, and turn on the power at the supply breaker.
6. Move the Fan Limit Control to Manual (white button in) and verify 120V at the blower wiring box. If 0V, check Fan Limit wiring connections.
7. Return the Fan Limit Control to the Auto and locate the blower motor capacitor.
8. Remove cover and leads from the capacitor. Place a screwdriver across the capacitor terminals to discharge the capacitor. Using a multi-meter that is set on capacitance, measure. The reading should be 7.5 μ F for an EL140, 10 μ F for an EL200, 15 μ F for an EL 340, and 20 μ F for an EL 350. Tolerance is plus or minus the limit on the capacitor (usually 5 or 10%). If bad, replace capacitor. Reconnect the leads and the cover.
9. Set the Fan Limit Control to Manual. Note: If the blower does not start with a good capacitor, the blower will need to be replaced.
10. Using the tachometer, measure the speed of the blower wheel as assembled on the furnace (should be near 1075 RPM). If the rpm is slow, replace the blower.
11. Measure the voltage across the capacitor leads with the blower running. If the voltage is over the rated voltage (370V), the motor is over-loaded. If so, call for assistance.

9.3.3 Cad Cell Testing

Tools Required:

Flat-blade screwdriver, 120VAC capable Digital Multi-Meter (Ohms)

Cad Cell Function:

The Cad Cell senses the flame via a resistance measurement, so the primary controller will continue to power the burner during the call for heat. The normal flame sensing range is less than 1600 ohms. With a reading greater than 1600 ohms, the primary controller does not recognize that a flame is present and will stop the burner as a safety precaution.

Note: During this test, if the Cad Cell does not function as stated, call Technical Services for assistance, or Customer Service to order a new Cad Cell.

Procedure:

1. Unplug the burner plug from its receptacle.
2. Loosen or remove two ignition transformer screws. The cad cell is located on the underside of the ignition transformer. Lift the ignition transformer and inspect the yellow cad cell leads for cuts or breaks.
3. Inspect the cad cell for signs of overheating, such as melted plastic or coating of soot. Clean or replace if you see any of these signs.
4. Gently wipe dust off the cad cell lens with a soft clean cloth (DO NOT use solvents on lens).
5. Set your multi-meter to the 100 ohm or 1K ohm range.
6. On the primary control, use the multi-meter to check across the "F" terminals.
 - a. The reading should be very high in the dark (30K ohms+ with ignition transformer closed) and very low in light (below 1600 ohms with ignition transformer lifted open).
7. Return the Transformer to its operating position and plug in the burner.

9.3.4 Metering Pump Assembly Testing

Tools Required:

1/8" Allen wrench, 3/4" wrench, Flat-blade screwdriver, 120VAC capable Digital Multi-Meter, alligator clips or a jumper wire, Tachometer, stop watch and a graduated cylinder (ounce or milliliter).

Metering Pump Assembly Function:

Pumps fuel from the tank to the preheater and burner during the call for heat (given the preheater is up to temperature)

Note: During this test, if the Pump Assembly does not function as stated, call Technical Services for assistance, or Customer Service to order service parts.

⚠ DANGER *During a portion of this test, high voltage electrical components will be energized. Only a certified electrician is to perform the following procedures, and with extreme caution.*

Procedure:

1. Remove the pump assembly cover.
2. Inspect the coupler for damage or wear and make sure the set screws are tight and positioned on the flats of the two shafts. If worn or damaged, replace.
3. Inspect the condition of, and rotate by hand, the shafts (pump and gear box). If worn or damaged, replace.
4. Jumper the T-T terminals, as soon as you hear the burner start, jumper the F-F terminals.
5. **⚠ CAUTION** Use Caution when approaching the pump assembly, rotating parts will be in operation.
6. Chattering from the gear box usually means damaged gearing. If chattering is heard or felt, replace the gear box.
7. Close the ball valve at the bottom of the preheater.
8. Using a multi-meter, verify the voltage across the wires going to the pump motor, should be around 115V AC.
 - a. If voltage is not present, check the wires from the pump conduit to the wiring box and in the primary control to ensure a secure fit and connections are proper (refer to wiring diagram for wire location and colors).
 - b. If voltage is present, but the motor does not function
 - i. Remove jumper terminals from the T-T and F-F terminals.
 - ii. Unhook the pink wire from the pump motor capacitor and hook it into the conduit wire feeding the black wire going to the capacitor.
 - iii. Jumper the primary as in Step 5.
 1. If the motor runs, the capacitor is bad and must be replaced.
 2. If the motor does not run, remove jumpers from the primary.
 3. Remove the coupler from the pump assembly, and jumper the primary as in Step 5
 - a. If the motor runs
 - i. Remove jumpers and test with capacitor.
 1. If the motor runs with the capacitor, then the pump is seized and should be replaced.
 2. If motor does not run, replace capacitor.

- b. If motor does not run, replace motor.
- 9. With pump operating and preheater ball valve closed, verify that the pump outlet pressure is around 60 psi (pump is now in bypass).

Speed testing with a tachometer

- 10. Test pump shaft speed per tachometer instruction and compare to values found in the table under step 4.

Perform a suction test on system

- 11. Close fire stop valve and push down on the stem. Or, close ball valve.
- 12. Run pump until the vacuum gauge reads 15 in/Hg (should quickly reach), and stop pump.
- 13. Cap the discharge side of the pump and note the vacuum gauge reading.
- 14. Wait 30 minutes.
- 15. Vacuum gauge reading should be the same as noted in step 14.
 - a. If not, check fittings and connections and retest, looking for signs of vacuum leaks.

Flow test

- 16. Disconnect the 3/16" copper line from the inlet of the solenoid valve at the top of the preheater (you will use this tube to catch oil coming from the preheater.).
- 17. Have the graduated cylinder located so as to catch oil from the tube in step 17.
 - 18. Start timing once the burner turns on by applying jumpers to the T & F terminals.
- 19. Allow to run for 120 seconds (2 minutes) and remove jumpers.
- 20. Fluid levels should be near the listed values in the following table.

Model	Listed Flow Rates [gph]	Flow [oz/120 seconds]	Flow [ml/120 seconds]
140	1.0	4.3	126.2
200	1.4	6.0	176.7
350	2.5	10.7	315.5

9.3.5 Preheater and Nozzle PTC Testing Procedure

Tools Required:

1/4", 5/16" wrenches, alligator clips or jumper wire, 120 VAC capable Digital Multi-Meter DMM, temperature probe, or the TPI combustion analyzer with a type K thermocouple attached.

Preheater/Nozzle PTC Function:

Heats the fuel to a temperature over 140°F for proper combustion. There are standby PTCs in the Preheater and the Nozzle that are energized whenever there is power to the burner, in order to keep the fuel warm for immediate start up. When the burner is firing there are extra run PTCs in the Preheater that energize to heat the fuel as it flows to the nozzle. **Note:** During this test, if the preheater does not function as stated, call Technical Services for assistance, or Customer Service to order a new preheater.

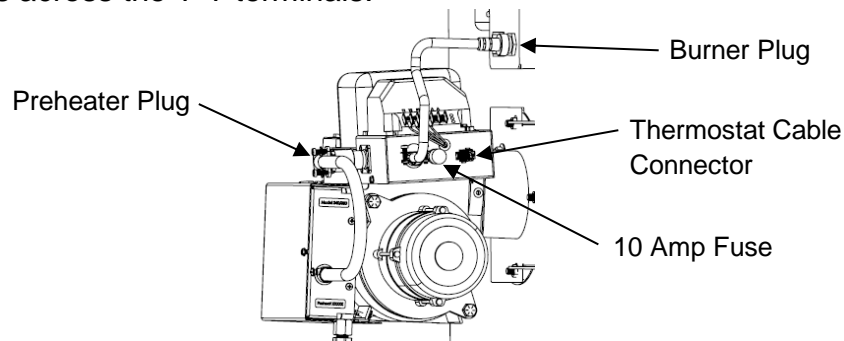
⚠ CAUTION The preheaters are on at all times, making the nozzle block and external preheater assembly very hot to the touch.

⚠ CAUTION Make sure the Preheater has recently been maintained. Neglect will negatively affect the results of testing

⚠ DANGER *During a portion of this test, high voltage electrical components will be energized. Only a certified electrician is to perform the following procedures, and with extreme caution.*

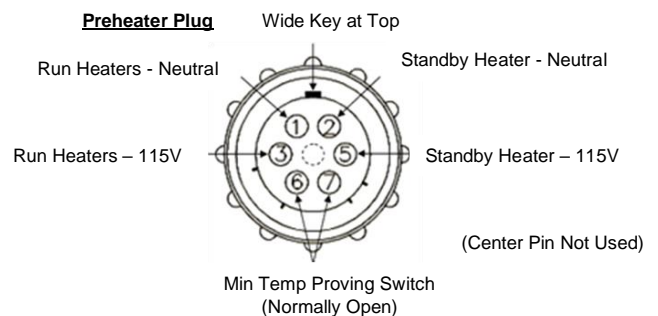
Procedure:

1. With the burner unplugged, verify the pins at the preheater plug and receptacle are straight and secure.
2. Check the burner fuse (refer to figure below). If the fuse is blown, there is a high probability that one of the PTCs has shorted out.
3. Remove the wall thermostat connector from the side of the primary control and/or any jumpers across the T-T terminals.



4. Disconnect the preheater plug. Allow the preheater to cool, and check the following with the digital multi-meter:

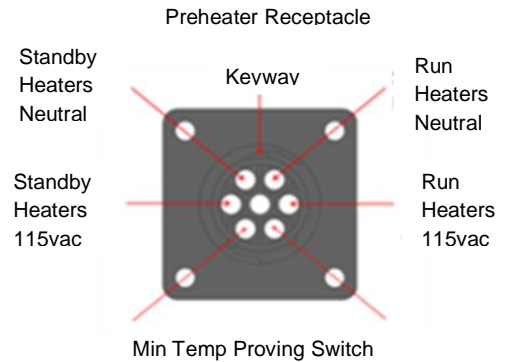
- a. Verify that the circuit between the two proving switch pins (6 and 7) is open. When the preheater is hot it should be closed.
- b. Verify that there is a resistance of 100-1000 ohms between the standby power and neutral pins.



c. Verify a resistance of 100-1000 ohms between the run power and neutral pins. If the resistance is close to zero, then the individual PTC heaters will need to be tested to see if one of them has shorted out. If the resistance is very high, then there may be a bad connection somewhere, or the High Temp Limit Switch may have failed open.

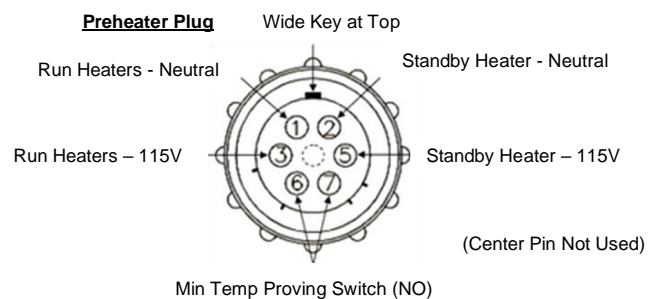
5. Plug the burner in. Unplug the preheater. Close the preheater ball valve (perpendicular to piping). Verify power by testing for 120VAC across the preheater receptacle on the front of the burner wiring box (see figure).

- a. Verify power across the preheater receptacle Standby Heater pins.
- b. **Note:** This should only be performed with the burner fully attached to the furnace cabinet. Next, jump across the TT and FF terminals on the Primary Control. Verify power across the preheater receptacle Run Heater pins.
- c. Remove the jumpers from the TT and FF terminals, return the plug to the receptacle and open the ball valve when finished.



6. If the tests in step 4 and 5 are successful, plug the preheater into the receptacle and allow the preheater to heat up. After 20 minutes, the standby PTC should have heated the oil to the point where the Min Temp Proving Switch should have closed. **Note:** If the room temperature is below 50°F, allow additional time.

- a. Using the temperature probe (or TPI combustion analyzer with a type K thermocouple attached), touch the thermocouple probe to the surface of the preheater. It should register above 120°F.
- b. Unplug the preheater and check for continuity across the proving switch pins of the preheater plug (refer to figure). If the preheater is hot, but there is no continuity across the proving switch pins, the switch will need to be replaced.



7. If the burner does not light off well, there may be a problem with the Nozzle Block Standby PTC. To check the Nozzle Block Standby PTC: Remove the screws and flip back the transformer on top of the burner to expose the nozzle block.
 - a. Using the temperature probe (or TPI combustion analyzer with a type K thermocouple attached), touch the thermocouple probe to the surface of the nozzle block under the insulation, it should register above 120°F
 - b. Unplug the burner and check the physical connection and pins of the white PTC electrical plug.
 - c. Return the transformer to its operational position. Plug the burner in.
8. If the burner starts okay, but then trips after a few minutes, then restarts again repeatedly, then the run pills may not be providing enough heat or the incoming oil is cold. If the incoming oil to the preheater is above 50°F and the preheater cannot maintain temperature, the preheater will need to be cleaned or repaired.

9.3.6 Primary Control Testing

Tools Required:

Flat-blade screwdriver, alligator clip or piece of jumper wire.

Primary Controller Function:

Processes the call for heat and distributes power to the necessary components in order to operate the furnace or boiler. During the startup and heating cycle, the primary controller looks for a flame to insure that there is combustion, and shuts down the burner if there is no flame.

Note: During this test, if the Primary Controller does not function as stated, call Technical Services for assistance, or Customer Service to order a new Controller. **Note:** With the T-T terminals jumped, if the Burner does not operate, verify that the primary is sending power by checking the voltage across the orange and white terminals beneath the primary control.

⚠ DANGER *During a portion of this test, high voltage electrical components will be energized. Only a certified electrician is to perform the following procedures, and with extreme caution.*

Procedure:

1. Set the Wall Thermostat to a temperature setting lower than current ambient temperature.
2. Disconnect one of the wires going to the F-F terminals on the primary

Testing the Limited Recycle Mode function of the Primary Control

3. Use the alligator clip or jumper wire to connect the T-T terminals
 - a. Burner should run for –several seconds, resulting in reset.
 - b. –If this happens, the primary control is working properly.
 - i. If the burner does not operate, unplug the burner and check the connections in the burner wiring box. Then, repeat the testing. If the burner still does not operate, replace the primary control.
 - ii. Go to step 7 if complete, else go to continue to step 4.

Testing the Recycle function of the Primary Control

4. Use the alligator clip or jumper wire to connect the T-T terminals.
5. When burner starts, use alligator clip or jumper wire to connect the F-F terminals and allow to run for 1 minute.
6. Remove jumper from F-F terminals
 - a. Burner should run for several seconds, resulting in reset. If this happens, the primary control is working properly.
 - b. If the burner does not operate, unplug the burner and check the connections in the burner wiring box. Then, repeat the testing. If the burner still does not operate, replace the primary control.

Completing the Test

7. Reconnect the wire removed in Step 2.
8. Return the Wall Thermostat setting to an appropriate temperature.

9.3.7 Solenoid Valve Testing

Tools Required:

7/16" wrench, Flat-blade screwdriver, 120VAC capable Digital Multi-Meter and alligator clips or jumper wires.

Solenoid Valve Function:

Blocks flow of the fuel from the preheater to the nozzle block when burner is not operating, and allows for flow during burner operation. The valve is a Normally Closed Valve.

Note: During this test, if the Solenoid does not function as stated, call Technical Services for assistance, or Customer Service to order a new Solenoid Valve.

CAUTION Make sure the Solenoid has recently been maintained. Neglect will negatively affect the results of testing.

⚠ DANGER *During a portion of this test, high voltage electrical components will be energized. Only a certified electrician is to perform the following procedures, and with extreme caution.*

Procedure:

1. Unplug the burner plug from its receptacle. Unplug preheater.
2. Remove the primary control cover plate, allowing access to the terminal strip under controller.
3. Find the solenoid valve wires, purple and white of the same gauge, and remove from terminal strip.
4. Using a multi-meter, test for continuity across the solenoid wires. There should be continuity across wires.
5. Leaving the purple and white wires disconnected, loosely replace the primary cover.
6. Remove copper tubing from between the solenoid and the nozzle (have cup or disposable towel ready to catch oil).
7. **⚠ CAUTION Wear Safety Glasses for the following steps!**
8. Plug in the burner and jumper the T-T terminals.
9. After the burner starts, jumper the F-F terminals.
10. Holding the cup near the open end of the solenoid valve, observe to see if the valve leaks while the burner is running. The valve should not leak during operation.
11. Remove the T-T and F-F terminal jumpers.
12. Unplug the burner plug from its receptacle. Reconnect the solenoid to the terminal strip. Plug the burner back in.
13. Apply the jumpers as in steps 9 and 10.
14. The solenoid should open and oil should flow out of the solenoid.
 - a. If oil does not flow, verify 105-120VAC is supplied to the solenoid from the terminal strip.
15. Remove the jumpers from the T-T terminals, then the F-F terminals and unplug the burner.
16. Return the wires, primary, copper and preheater plug to their operational positions.
17. Plug in the burner.

9.3.8 Top Suction Kit Testing

Tools Required:

Adjustable wrenches, alligator clips

Top Suction Kit Function:

Save time/money and increase reliability when delivering fuel from the top of various types of tanks. An EnergyLogic Top Suction Kit combines fuel pick-up with a foot valve and a low fuel cut off switch. The fuel pick-up line has a copper tube, increasing reliability of the fuel delivery. An EnergyLogic Low Fuel Cutoff Switch is provided to interrupt operation when the fuel level in the tank is low, reducing the chance of introducing air into the fuel lines.

Note: During this test, if the Top Suction Kit does not function as stated, call Technical Services for assistance.

Note: To check low fuel cut-off function, see Thermostat Testing (Section 9.3.1).

Procedure:

1. Run the pump vacuum check (Section 9.3.4, steps 12 –16) and make sure that you have proper and tight flare connections. If there is a leak, repair it or call for assistance.
2. Disconnect the 3/8" copper tube at union above the tank. Disconnect wiring for low fuel cut-off switch.
3. Remove the suction copper and foot valve from tank.
4. Clean the oil from the suction copper and foot valve thoroughly.
5. With the suction copper vertical (as it mounts in the tank), fill the tube with oil. Place a clean paper towel under the foot valve.
6. Let the filled assembly set for 20 minutes. Inspect for oil leaks on the paper towel.
7. If there is evidence of a leak, and it can be located, repair if possible using thread sealant. If repair is not possible, call for assistance or order replacement parts.

9.3.9 Iron Core Transformer Testing

Tools Required:

Flat-blade screwdriver, 120 VAC capable Digital Multi-Meter (must have mA AC capability) and alligator clips or a jumper wire.

Transformer Function:

Transforms 120 Volts into a low ampere, high voltage (10,000 V) supply to the electrode. This provides the spark needed for combustion.

Note: During this test, if the Transformer does not function as stated, call Technical Services for assistance, or Customer Service to order a service part.

⚠ WARNING EnergyLogic does not recommend the use of a screwdriver or any other conductor to contact the transformer springs other than the testing procedure below!

⚠ DANGER *During a portion of this test, high voltage electrical components will be energized. Only a certified electrician is to perform the following procedures, and with extreme caution.*

Procedure:

1. Unplug the preheater.
2. Use the screwdriver to loosen the primary control mounting cover and lift to allow access to terminal strip underneath.
3. With the burner plugged in, jumper the T-T terminals to simulate a call for heat. When the burner starts, jumper the F-F terminals on the primary control.
4. Find the Black wires coming from the transformer and cautiously check the voltage across the terminals. Should read between 105 and 120 volts AC.
 - a. If reading is not within range, call your electrician to rectify voltage issue. There may be an issue with your local power company.
5. Remove jumpers from T-T and F-F terminals.
6. Unplug the burner plug from its receptacle.
7. Loosen or remove two ignition transformer screws.
8. Tilt back the transformer.
9. Verify that the springs are making contact with the electrode extensions by visually aligning the springs with the extensions. If they are misaligned, reshape the springs to ensure good contact. If soot is present, clean with wire brush or emery cloth.
10. **Use Caution when approaching the transformer springs! They will be energized with step 11.**
11. Plug in the burner and replace the jumpers as in step 3. You will need to disconnect the yellow wires from the terminal strip to the cad cell for the burner to restart.

Using a digital multi-meter:

12. Using your digital multi-meter
 - a. Without an amp clamp (must have mA AC capability)
 - i. Set the reading to amperes.
 - ii. Test amperes from spring to spring.
 - iii. Reading should be between 20mA and 26mA with a nominal of 23mA. (transformer should be labeled)

- b. With an amp clamp (must have mA AC capability)
 - i. With burner plug unplugged, run wire from spring to spring of the transformer.
 - ii. Plug in the burner and apply jumpers as in step 11.
 - iii. Using the amp clamp around the wire, read the amperes.
 - 1. Reading should be between 20mA and 26mA with a nominal of 23mA. (transformer should be labeled)
- 13. Remove jumpers from T-T and F-F terminals.
- 14. Unplug the burner plug from its receptacle.
- 15. Return the Transformer and Primary Controller to its operating position and plug in the burner.

9.3.10 Fan and Limit Controller Testing

Tools Required:

Screwdriver



Fan and Limit Controller Function:

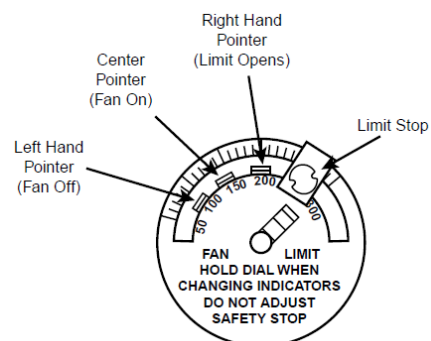
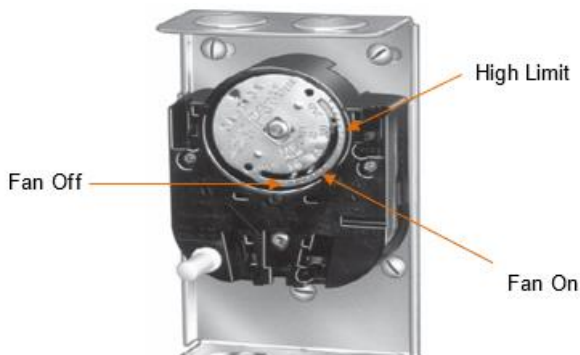
Turns fan on and off at designed temperatures. For safety, the controller prevents overheating of the furnace by turning off the burner at a designated limit temperature. There are a couple of different manufacturers of the Fan & Limit switches. They may look a little different, but they operate similarly.

Note: During this test, if the Controller does not function as stated, call Technical Services for assistance, or Customer Service to order a service part.

Procedure:

1. The Fan & Limit control is the small silver box next to the hour meter on the furnace cabinet above the burner for models 140H/200H/350H.
2. Remove the Fan & Limit switch cover by squeezing and pulling it off. There is a cover screw on some models.
3. The Fan Off, Fan On, and High Limit tabs should be set as follows:

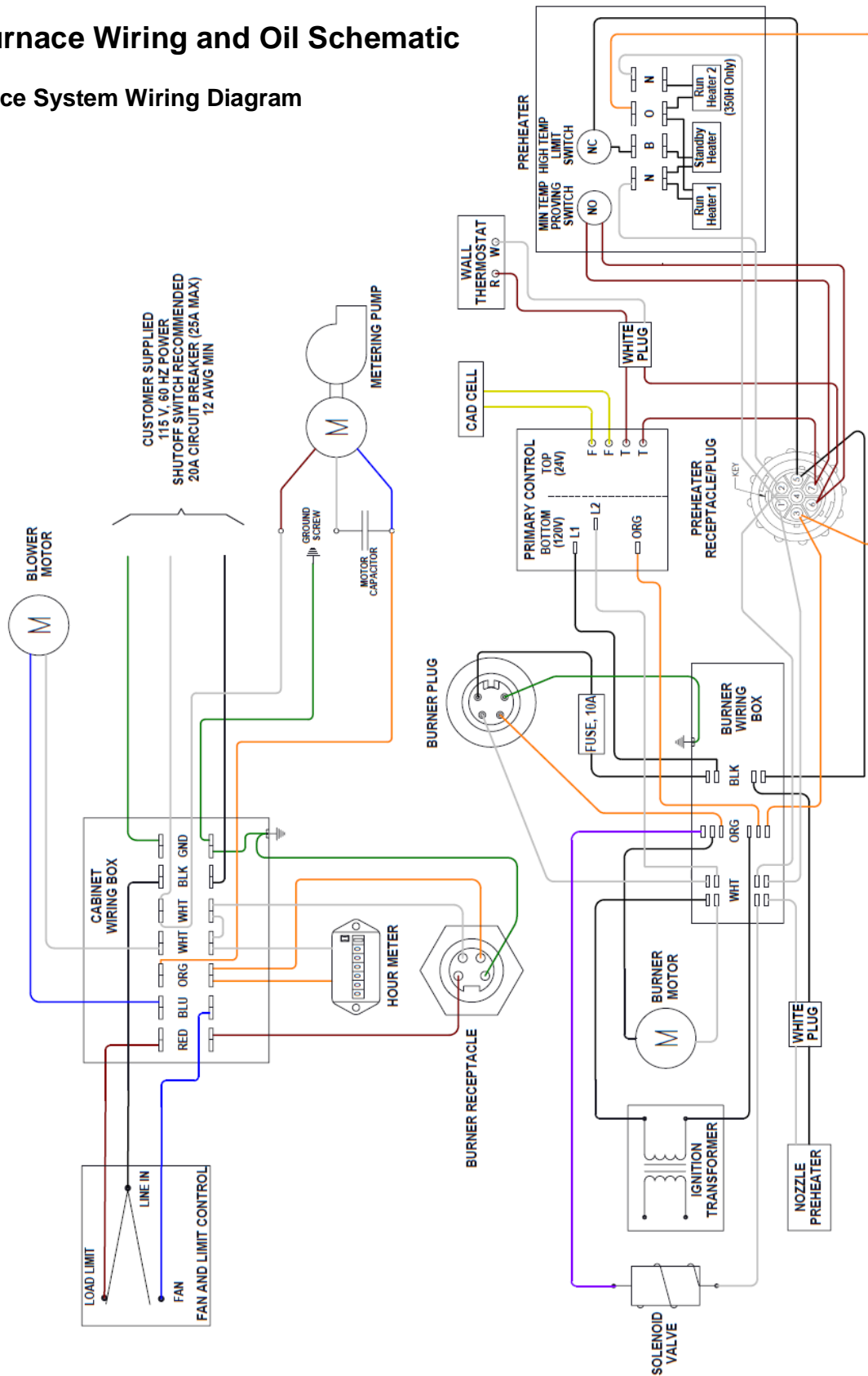
Models 140H and 200H:	Fan Off at 90°F/32°C
	Fan On at 130°F/54°C
	High Limit at 250°F/121°C
Models 350H:	Fan Off at 110°F/32°C
	Fan On at 150°F/54°C
	High Limit at 230°F/121°C
4. Turn the furnace on and watch the fan and limit dial as the furnace rises in temperature. The blower should come on when the Fan On temp is reached. Turn the wall thermostat down to stop the burner. The blower should stay on to cool the heat exchanger (combustion chamber) until it reaches the Fan Off temp on the dial.
5. To check the high limit function, turn power to the furnace off at the breaker box and lock out. Disconnect a blower lead in the blower wiring junction box above the blower. **⚠ DANGER Cap the wire to prevent accidental shorting once power is restored.** Turn the power back on and start the furnace. Watch the fan and limit dial. Your burner should shut off when the dial reaches the High Limit setting.
6. Now, turn off and lock out the power and reconnect the blower. When you turn the power back on, the blower will come on to cool the heat exchanger.
7. If the fan and limit control does not operate as described above, replace it with an identical fan and limit control, following the instructions provided with the control.



10. Appendices

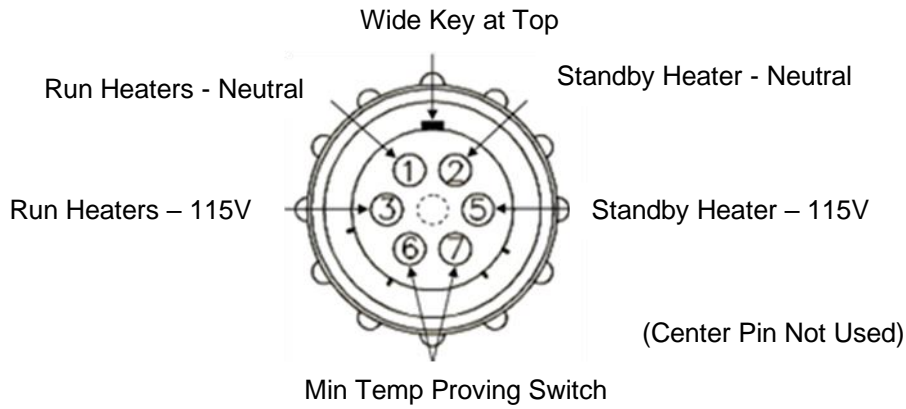
10.1 Furnace Wiring and Oil Schematic

Furnace System Wiring Diagram

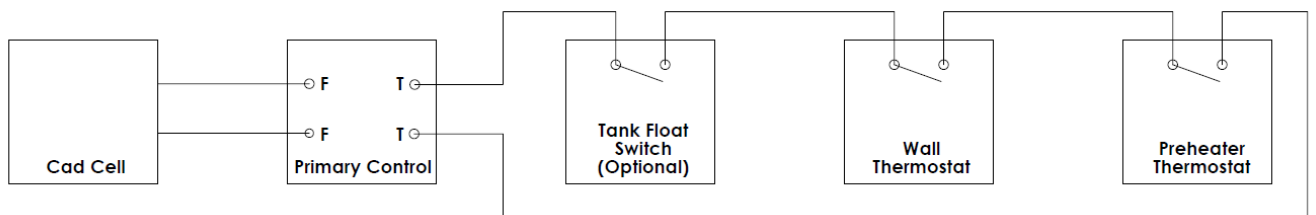


ITEM: 81011074 - WIRING DIAGRAM, HEATER RELEASED: 08/6/2024

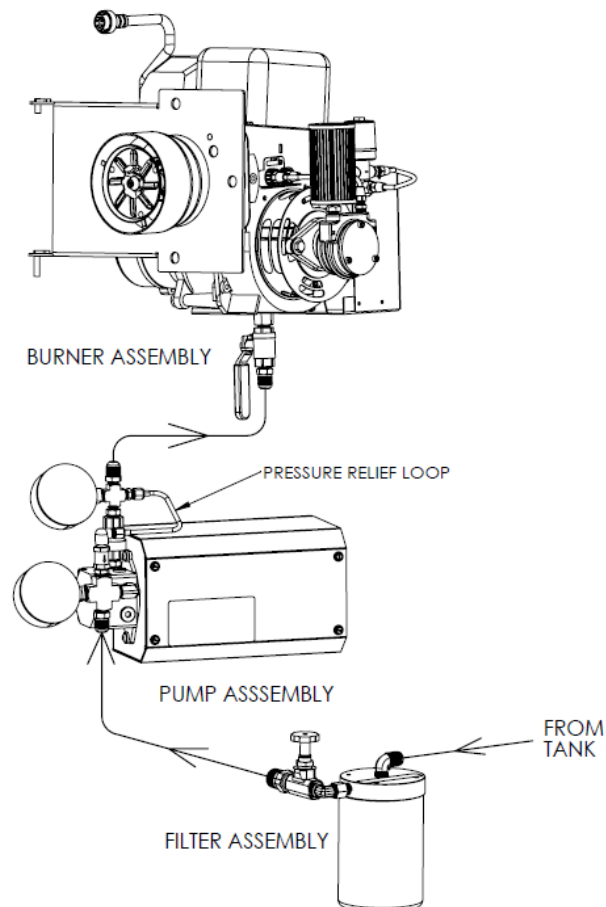
Preheater Plug Pin Diagram



Primary Control Circuit (with 24 VAC thermostat)



Oil Schematic



10.2 Carlin 50200E Primary Control



Carlin[®]
Combustion Technology, Inc.

Model 50200 CAD Cell Oil Primary Control Data Sheet

- Interrupted Duty Ignition
- Recycle on Flame Failure
- Serviceman Reset Protection
Latch-up after 3 consecutive lockouts
- Diagnostic LEDs
Status, lockout, flame

- 15-second, 30-second TFI
- Thermostat/Aquastat Compatible
- SMC Technology
- Pump Prime
- Alarm Contacts



Power input (from limit circuit)	120 VAC, 60 HZ, 9VA
Motor load	10 FLA / 60 LRA
Ignitor load	120 VAC, 60 HZ, 500 VA
Alarm contacts	24 V, AC/DC, 2A
Operating temperature limits	+32°F to +140°F

Storage temperature limits	-40°F to +185°F
Thermostat anticipator current	0.1 A, AC
CAD cell resistance (with flame)	R < 1500 OHMS
Agencies	UL recognized (US & Canada)

Installing and Wiring

WARNING 50200 control must be installed and serviced only by a qualified service technician.

1. Always disconnect power source before wiring to avoid electrical shock or damage to the control. All wiring must comply with applicable codes and ordinances.
2. Thermostat terminals (T-T) provide a current source. Never apply external power to these terminals under any circumstances.
3. Alarm terminals provide a 24 VAC/VDC-rated dry contact, suitable for use with security/fire alarm systems.

Startup & Operation

WARNING Do not start the burner if the combustion chamber contains oil or oil vapor.

NOTICE Per UL requirements, the control will not turn on if the CAD cell senses flame during the self-test. If the CAD cell sees light (flame) at the beginning of a cycle, the control will remain in self-test mode until the CAD cell no longer senses light (flame). The amber LED will blink momentarily every 3 to 4 seconds and green LED will be on or flashing.

Model 50200 Diagnostic LEDs

Ⓐ – Amber OFF	Ⓐ – Amber ON	Ⓐ – Amber FLASHING
Ⓒ – Green OFF	Ⓒ – Green ON	Ⓒ – Green FLASHING
Ⓡ – Red OFF	Ⓡ – Red ON	Ⓡ – Red FLASHING

- ⒶⓇⓇ **Power ON** Open all manual oil line valves. Close the line switch. (If Red LED turn on constant Ⓡ, control is in lockout. See below to reset.)
- ⒶⓇⓇ **Self-test 1** The control performs a “boot-up” test to verify internal operation each time power is applied to the black wire. The amber LED turns on and the test continues for about 5 seconds. If the test fails, the control turns the amber LED off and repeats this test sequence until successful.
- ⒶⓇⓇ **Stand-by** (Thermostat circuit open and/or limit circuit open) If Self-test 1 is successful, amber LED turns off and control waits for thermostat circuit to close and a limit input.
- Call for heat** Set thermostat to call for heat. Thermostat circuit must be closed and black wire must receive power from the limit circuit.
- ⒶⓇⓇ **Self-test 2** If a failure occurs in this self-check, the control won't start and the amber LED blinks 1 second on, 4 seconds off, until serviced or the problem clears. These failures include CAD cell seeing light, internal failure, or line voltage <90V. See service section.

Startup & Operation (continued)

- ⒶⓈⓇ Burner ON** After the self-test, amber LED turns off. The ignitor starts, followed 2 seconds later by the motor.
- ⒶⓈⓇ Pump Prime** To enter pump prime: 1. Start a CFH cycle. During Pre-Ignition, press Reset until motor turns off (10 seconds), then release the button. When motor turns back on, within 5 seconds, press the Reset button until the amber LED starts to flash. You are in Pump Prime, release Reset button.
- Optional Pump Prime notes:* 1) If lost, press Reset for 1 second and release, then if the control is not in Pump Prime, restart the sequence. 2) If Reset is released before end of first 10 seconds, the control returns to Standby and restarts another CFH cycle. 3) If reset is not pressed the second time, a normal CFH cycle will continue. 4) If motor and igniter are on and amber LED is flashing, the control is in Pump Prime. 5) Pump Prime will exit standby if flame is detected, or 60 seconds has elapsed, or loss of TT or Limit, or Reset button is pressed.
- ⒶⓈⓇ TFI** The CAD cell must sense flame within the TFI time limit (trial for ignition). After CAD cell senses flame, the ignitor stays on another 10 seconds (flame stabilization period).
- ⒶⓈⓇ Run** The burner continues firing during call for heat if the CAD cell is sensing flame. Only the green LED is on during normal running.
- ⒶⓈⓇ Lockout** If CAD cell does not sense flame within the TFI time limit after the burner starts, **lockout** occurs. The control turns the red LED on constant and closes the alarm contact.
- To Reset** Push in and hold reset button for 1 second, then release.
- ⒶⓈⓇ Latch-up** If the control locks out 3 times during a single call for heat, latch-up occurs. The control turns on both the amber and red LEDs constant. You must use the special procedure below to reset the control after latch-up.
- ⚠ WARNING** **Reset after latch-up:** only a qualified service technician should attempt to reset the control after latch-up. The problem that caused the repeated burner lockouts must be corrected before returning the burner to normal operation.
- ⒶⓈⓇ** Push in and hold the reset button for 10 seconds. The amber LED will begin to flash.
- ⒶⓈⓇ** After the LED begins flashing, continue holding the reset button for 20 seconds. The LEDs will turn off. Release the reset button and the control will restart (releasing the button before the LEDs turn off will cause the control to remain in latch-up).
- NOTICE** The 50200 control will not reset from lockout or latch-up if power is interrupted.
- ⒶⓈⓇ Flame Failure** If the CAD cell loses flame signal during operation (after the TFI), the red LED flashes. The burner shuts off within 2 seconds.
- Recycle:** Control waits for 65 seconds (with red LED flashing), then begins again at Self-test 2. Red LED goes off.
- ⒶⓈⓇ NOTICE** If the green LED is blinking during a run, the flame is weak or unstable and may go into recycle.
- ⒶⓈⓇ End cycle** Set thermostat (or aquastat) to stop call for heat. The burner shuts off within 2 seconds after end of call for heat.
- ⒶⓈⓇ Stand-by** Control remains in stand-by mode until limit circuit sends power to the black wire and thermostat circuit closes (call for heat).

Field checks

1. **Safety timing (TFI) test** – Remove one CAD cell wire (F-F). Start burner. The control should lockout within the TFI time limit. Replace CAD cell wire.
2. **Flame failure test** – Start burner. After flame is established (after TFI period), close the oil supply hand valve. This will cause a flame failure sequence as described in the Startup & Operation section of this Data sheet. The control should recycle (restart after 65 seconds).
3. If control does not operate as described, check the wiring.

Service & Troubleshooting

Burner (control) will not come on

(A)(G)(R) No power to control

- Check limit circuit to the control (at least 102 VAC).
- Check all electrical connections.

(A)(G)(F) Control is in lockout

- Red LED will be on. Press the reset button for 1 second.
- If the control returns immediately to lockout, the Safety Monitoring Circuit may have detected an internal control problem. Replace the control.

(A)(G)(R) CAD cell seeing light

- Green LED on, and amber LED blinking 1 second on, 4 seconds off. Remove one yellow lead from FF terminals, and the flame test plug.

If the amber LED remains flashing and green LED on, the control is defective.

If the amber and green LEDs go OFF, the control is OK, and;

- light is leaking into the burner housing, *or*
- CAD cell is defective, *or*
- There is a problem with the CAD cell wiring or holder.
- If appliance was recently shut down, CAD cell may see residual hot spots in chamber.

To troubleshoot:

- Attach multimeter to monitor CAD cell resistance. Dark resistance should be over 50K ohms, and room light resistance (control flipped open) should be at most 10K ohms. Replace cell if necessary or reinstall and close the burner housing.
- Check for stray light by measuring the CAD cell resistance looking into the inactive combustion chamber. It should read at least 50 kohms.

Repeated flame failures ((A)(G)(R) flashing red LED)

Check for:

- CAD cell is defective. *Replace.*
- Air leaking into oil line causing flame out. *Check oil line connections and filter gasket.*
- Defective nozzle causing flame to be erratic. *Change nozzle.*
- Excessive airflow or draft causing flame to leave burner head. *Check for proper air band setting and draft.*
- Excessive back pressure causing flame to be erratic. *Check appliance and flue for sooting/plugging.*

Control locks out after TFI ((A)(G)(R) red LED on)

Check for:

- No oil to burner. *Check oil supply, filters, lines.*
- Shorted electrodes. *Inspect for cracked porcelain and replace as needed.*
- Poor spark. Check electrode spacing and condition per burner manual. *Replace or realign if necessary.*
- Nozzle clogged. *Replace nozzle.*
- Airflow too high. *Check air band setting.*
- Ignitor module defective. *Replace if no spark.*
- CAD cell defective
- Oil valve (if used) stuck in closed position.
- Check wiring connections.

(A)(G)(R) Blinking Green LED

- Weak or unstable flame.
- Check ohms.
- Check CO₂ level.

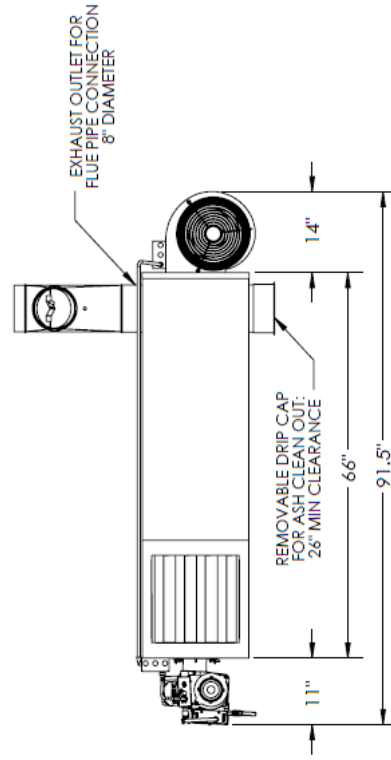
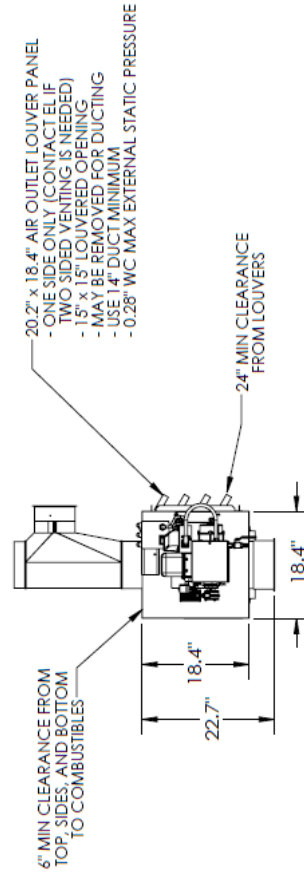
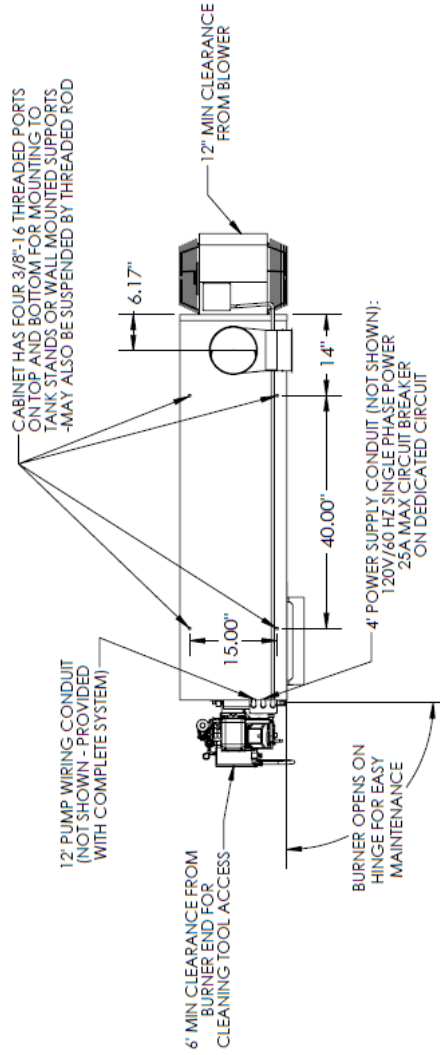
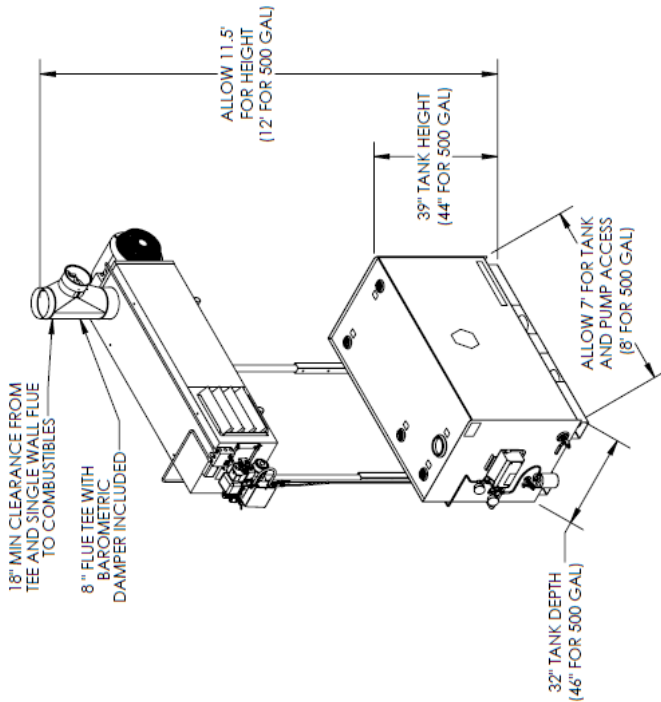
NOTICE **FROZEN PIPES/WATER DAMAGE:** This is not a freeze protection device. Suitable freeze protection monitoring or other precautions are recommended to protect against ruptured pipes/water damage caused by fuel outage, safety related fault conditions, or equipment failures.

10.3 Furnace Specifications

Multi-Fuel Burning Appliance			
Model Number	EL-140H	EL-200H	EL-350H
Bonnet Capacity Output	112,000 BTU/Hr (32.8 kW)	160,000 BTU/Hr (46.8 kW)	280,000 BTU/Hr (82.0 kW)
Fuel Input	1.0 GPH (3.8 L/hr)	1.4 GPH (5.3 L/hr)	2.5 GPH (9.4 L/hr)
Nozzle Only	No. 30609-5	No. 30609-5	No. 30609-28
Fuels	ASTM D396 No. 2 Fuel Oil, Used Crankcase Oil, and Used Automatic Transmission Fluid		
Designed Outlet Air Temperature	250°F Maximum (121°C)		
Flue Draft	-0.05" WC (Minimum 10' Stack) (-12.5 Pa)		
Atomizing Air Pressure	9-11 PSI (62-76 kPa)		
Blower Size	9" X 9" (22.9 x 22.9 cm)	10" X 10" (25.4 x 25.4 cm)	12" X 9" (30.5 x 22.9 cm)
Unit Heater or Ductable	0.28" WC Maximum External Static Pressure (69.7 Pa)		
Maximum Fuse Size	25A		
Blower Motor	1/2 HP (373W), 115V/60Hz, 8.1A	1/2 HP (373W), 115V/60Hz, 8.1A	1 HP (745W), 115V/60Hz, 11.8A
Burner Motor	1/7 HP (106W), 115V/60Hz, 3.3A	1/7 HP (106W), 115V/60Hz, 3.3A	1/7 HP (106W), 115V/60Hz, 3.3A
Metering Pump Motor	15Watt, 115V/60Hz, 0.35A		
Ignition Transformer & Control Circuit	115V/60Hz, 2.0A		
Oil Preheaters	115V/60Hz, 2.0A Maximum	115V/60Hz, 2.5A Maximum	115V/60Hz, 3.0A Maximum
Minimum Clearance to Combustible Surfaces	Top - 6" (15.2 cm) Front - 24" (61 cm) Sides - 6" (15.2 cm) Rear - 6" (15.2 cm) Flue Pipe - 18" (46 cm) Bottom - 6" (15.2 cm) Warm air duct within 3' (92 cm) of furnace (when ducted) - 6" (15.2 cm)		
For commercial and industrial use only.			
In buildings where gas vapors may be present, the furnace must be mounted at least 8' (2.44 m) above the floor.			
The furnace may be suspended from the ceiling.			
Normal continuous sound level: 77dBA			

MODEL EL-140H (SHOWN WITH 250 GALLON SINGLE WALL TANK)

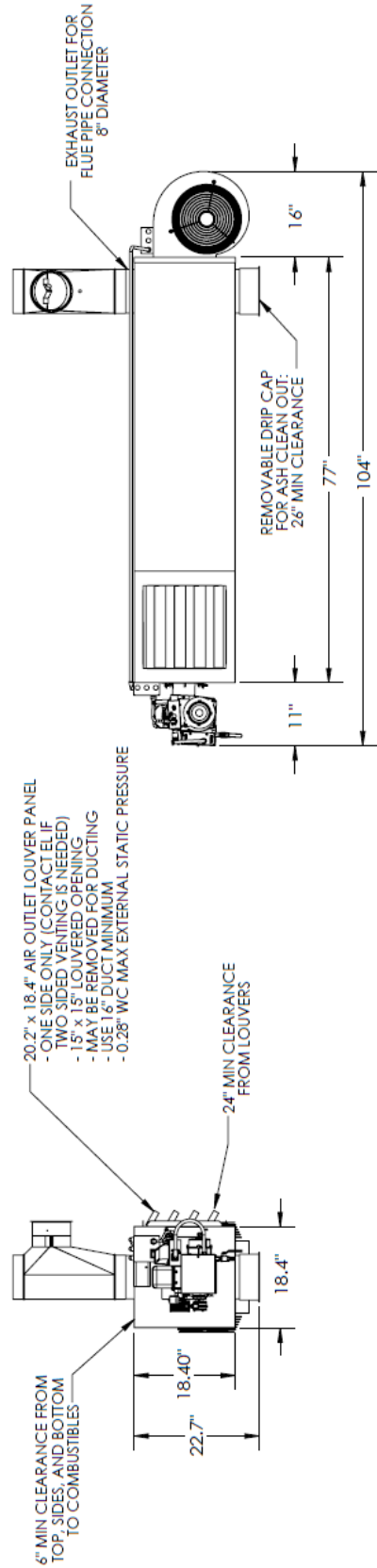
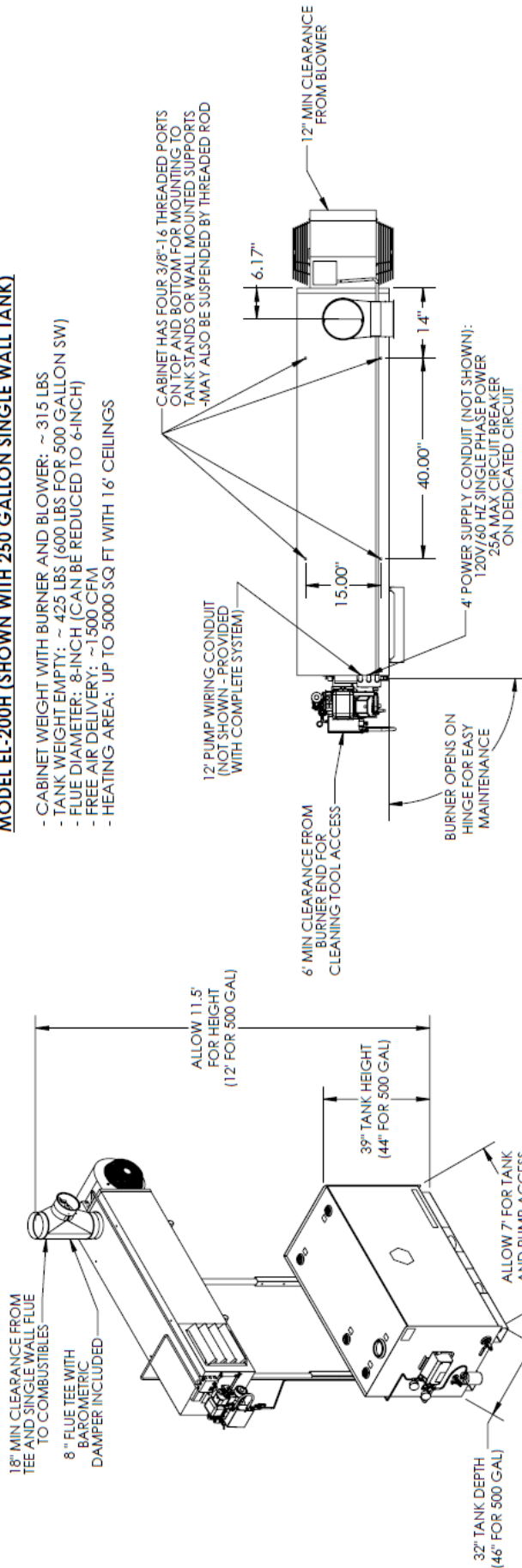
- CABINET WEIGHT WITH BURNER AND BLOWER: ~ 295 LBS
- TANK WEIGHT EMPTY: ~ 425 LBS (600 LBS FOR 500 GALLON SW)
- FLUE DIAMETER: 8-INCH (CAN BE REDUCED TO 6-INCH)
- FREE AIR DELIVERY: ~1000 CFM
- HEATING AREA: UP TO 3500 SQ. FT WITH 16' CEILINGS



ITEM # 98030025

MODEL EL-200H (SHOWN WITH 250 GALLON SINGLE WALL TANK)

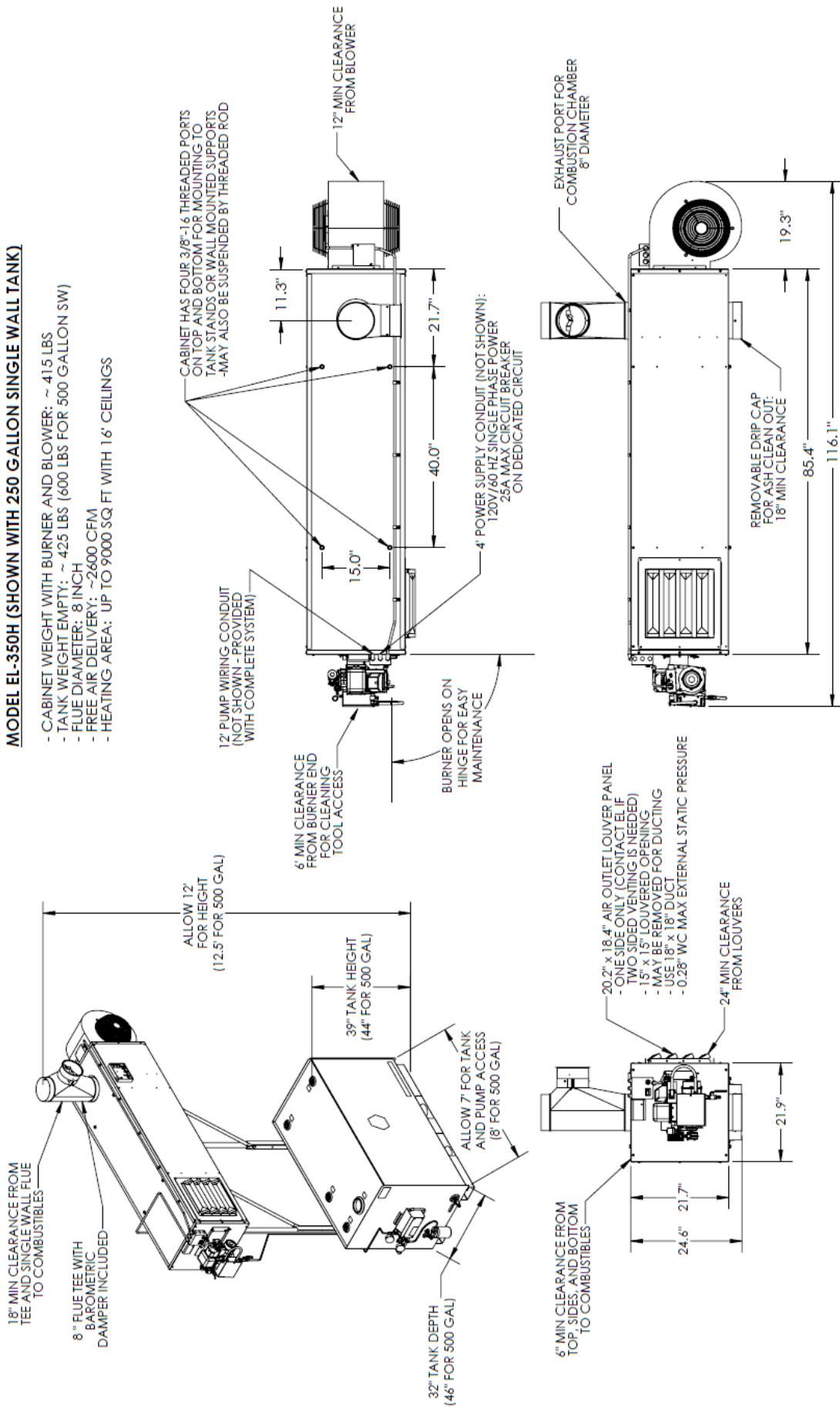
- CABINET WEIGHT WITH BURNER AND BLOWER: ~ 315 LBS
- TANK WEIGHT EMPTY: ~ 425 LBS (600 LBS FOR 500 GALLON SW)
- FLUE DIAMETER: 8-INCH (CAN BE REDUCED TO 6-INCH)
- FREE AIR DELIVERY: ~1500 CFM
- HEATING AREA: UP TO 5000 SQ. FT WITH 16' CEILINGS



ITEM # 98030026

MODEL EL-350H (SHOWN WITH 250 GALLON SINGLE WALL TANK)

- CABINET WEIGHT WITH BURNER AND BLOWER: ~ 415 LBS
- TANK WEIGHT EMPTY: ~ 425 LBS (600 LBS FOR 500 GALLON SW)
- FLUE DIAMETER: 8 INCH
- FREE AIR DELIVERY: ~2600 CFM
- HEATING AREA: UP TO 9000 SQ FT WITH 16' CEILINGS



ITEM # 98030074

10.4 Limited Warranty

EnergyLogic, LLC, MANUFACTURER, warrants to the buyer that **MANUFACTURER's** furnace be free from defect in material and workmanship according to the provisions and limitations set forth herein for a period of one (1) year from the Effective Date (as defined below) or 1,500 hours of operation, whichever occurs first. The buyer is responsible for registering the unit with the **MANUFACTURER**. If the unit is not registered, the buyer is responsible for maintaining proof of the purchase date of the unit. The warranty coverage period begins on the date (the "Effective Date") of purchase, as established by the buyer, or otherwise on the date of manufacture as indicated by the serial number. *No warranty claim examination shall commence until the unit is registered with the MANUFACTURER.*

Non-consumables or parts that are not associated with a maintenance service interval because of normal wear shall be warranted for a period of one (1) years from the Effective Date or 1,500 hours of operation, whichever occurs first. A second year will be activated when the product is registered with the Manufacturer within the first 30 days of receipt of the Product.

The heat exchanger chamber/combustion chamber shall be warranted for a period of ten (10) years from the Effective Date or 15,000 hours of operation, whichever occurs first. The Furnace Limited Warranty includes 100% of parts coverage for heat exchanger replacement during the first five (5) years from the Effective Date or 7,500 hours of operation, whichever occurs first, with prorated coverage (from the Effective Date) for the remainder of the ten (10) year term.

Parts (including heat exchangers) replaced during the original equipment warranty period as detailed herein shall carry either a one (1) year warranty from the date of purchase or the remainder of the factory warranty for the original equipment, whichever occurs last. In no event shall a part replaced under the original warranty carry a warranty that extends beyond one year from the expiration of the original factory warranty period.

Warranty Exclusions:

1. Consumable parts or any part that is associated with a normal maintenance interval because of normal wear and tear (filters, seals, gaskets, air compressor vanes, batteries, insulation, furnace cabinets).
2. Products or parts which are not maintained in accordance with the service frequency and methods described in the **MANUFACTURER'S** instructions furnished and / or available upon request from the buyer.
3. Parts and products that are not installed and operated according to **MANUFACTURER'S** instructions furnished and / or available upon request from the buyer.
4. Repairs made with parts or accessories which are not genuine EnergyLogic LLC or EnergyLogic LLC approved
5. Installations not in accordance with Manufacturers Installation Manual, UL, NFPA guidelines, federal, state, and local codes and regulations.
6. Labor or other costs incurred in troubleshooting, repair, removal, transportation, installation, service or handling of parts.
7. Claims, representation, or warranty made by any dealer, distributor, or other person that is inconsistent with or is more expansive than the provisions provided herein.
8. Parts that are altered from original specifications of the **MANUFACTURER** or are damaged because of misuse, improper handling, storage, or use in conjunction with other parts not authorized by **MANUFACTURER**.
9. Products that have been moved from the original installation site or that have been sold or exchanged to a person other than the original buyer.
10. Equipment or products installed outside of the continental U.S. or Canada.
11. Products or parts in which the serial number has been altered, defaced, or removed.

The buyer must assist the **MANUFACTURER'S** Technical Support group during over-the-phone problem diagnosis in order to help substantiate a warranty condition. A course of action will be determined by the **MANUFACTURER** if repair or replacement is deemed necessary.

MANUFACTURER'S liability under this warranty shall be limited to the repair or replacement of any part or parts that may prove to be defective under such normal operation and use, subject to **MANUFACTURER'S** examination and determination to its satisfaction that such part or parts are so defective.

Obtaining Warranty Service:

If the local Service Provider is unknown, contact **EnergyLogic, LLC** at 318 Seaboard Lane, Suite 316, Franklin, TN 37067, or at **1-800-351-0643**. A representative will assist you in locating the nearest authorized service provider or in verifying the warranty coverage. The Unit Registration identification number will be required. Please refer to our website at www.energylogic.com for more information.

In order for a warranty claim to be acknowledged by the **MANUFACTURER**, the buyer must be issued a Return Authorization (RA) number and the product must be Warranty Registered. After obtaining an RA number, the buyer must properly package the part to avoid damage during shipment with the RA number visible on the outside of the box. A credit card number must be provided in order for the replacement part to be shipped and the part must be returned within 30 days of receipt of the replacement part in order to avoid charges.

If **MANUFACTURER** determines that a problem with a product or part is not covered under the Limited Warranty, the buyer will be notified and informed of service alternatives available on a fee basis.

DISCLAIMER AND LIMITATION OF DAMAGES: THIS LIMITED WARRANTY IS EXPRESSLY IN LIEU OF ALL OTHER WARRANTIES, EXPRESSED OR IMPLIED, TO THE EXCLUSION OF ANY AND ALL OTHER WARRANTIES OR REPRESENTATIONS THAT MAY BE EXPRESSED OR IMPLIED BY ANY LITERATURE, PACKAGING, SAMPLES, MODELS, DATA OR PERSONS. MANUFACTURER DOES NOT ASSUME, NOR DO WE AUTHORIZE ANY EMPLOYEE, AGENT, OR OTHER PERSON TO ASSUME FOR US, ANY OTHER RESPONSIBILITY OR LIABILITY IN CONNECTION WITH THE SALE OF THE GOODS COVERED HEREBY. MANUFACTURER HEREBY DISCLAIMS ANY WARRANTY OF MERCHANTABILITY OR FITNESS FOR A PARTICULAR PURPOSE OR USE. MANUFACTURER'S MAXIMUM LIABILITY HEREUNDER SHALL NEVER EXCEED THE COST OF THE PRODUCT. MANUFACTURER IS NOT RESPONSIBLE FOR OR LIABLE FOR DIRECT, INDIRECT, SPECIAL, INCIDENTAL, CONSEQUENTIAL OR PUNITIVE DAMAGES RESULTING FROM THE USE OF THE GOODS COVERED HEREBY OR ANY BREACH OF WARRANTY OR UNDER ANY OTHER LEGAL THEORY, INCLUDING BUT NOT LIMITED TO CONTRACT, TORT, NEGLIGENCE, STRICT LIABILITY, LOST PROFITS OR GOODWILL, LOSS OF TIME, INCONVENIENCE, LOST FUEL, LOST SAVINGS, LABOR CHARGES OR OTHER INCIDENTAL OR CONSEQUENTIAL DAMAGES WITH RESPECT TO PERSONS, BUSINESS OR PROPERTY WHETHER AS A RESULT OF BREACH OF WARRANTY OR OTHERWISE. THIS WARRANTY IS LIMITED TO THE PRECISE TERMS SET FORTH ABOVE, AND PROVIDES EXCLUSIVE REMEDIES EXPRESSLY IN LIEU OF ALL OTHER REMEDIES.