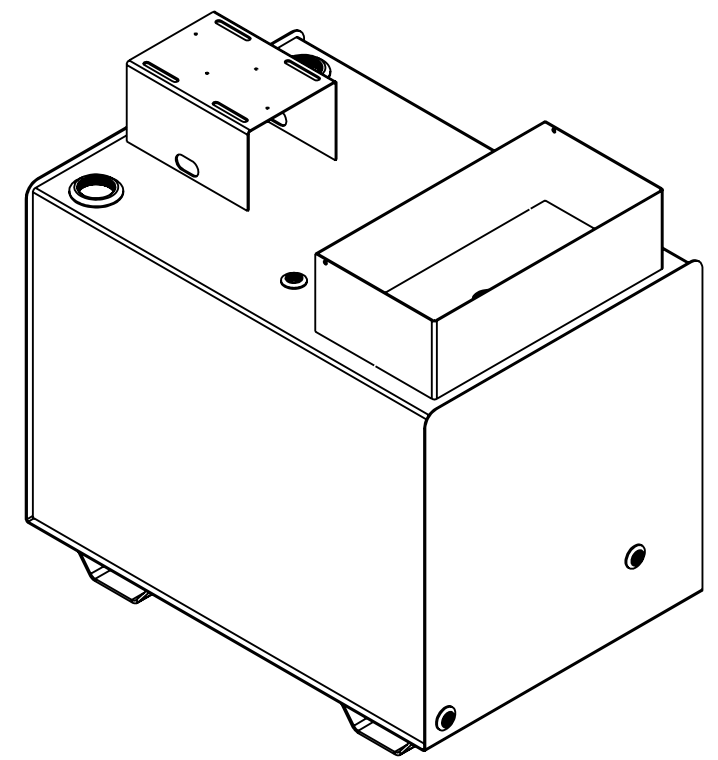
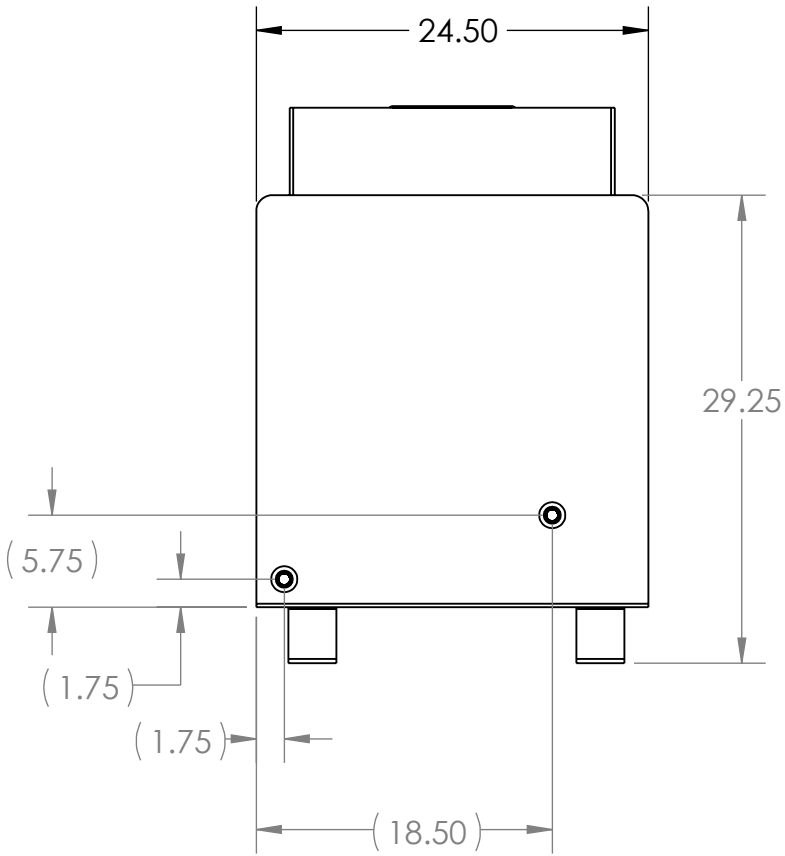
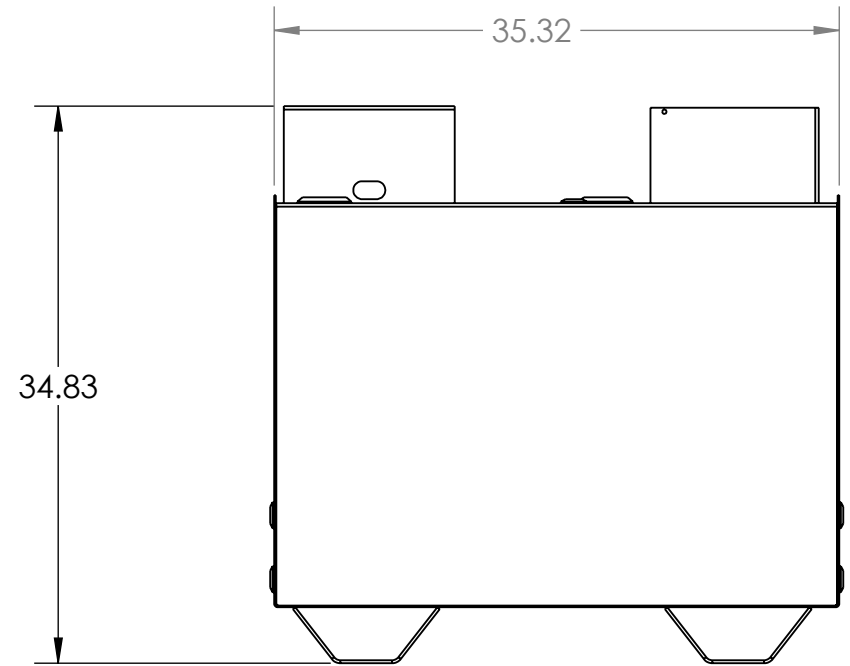
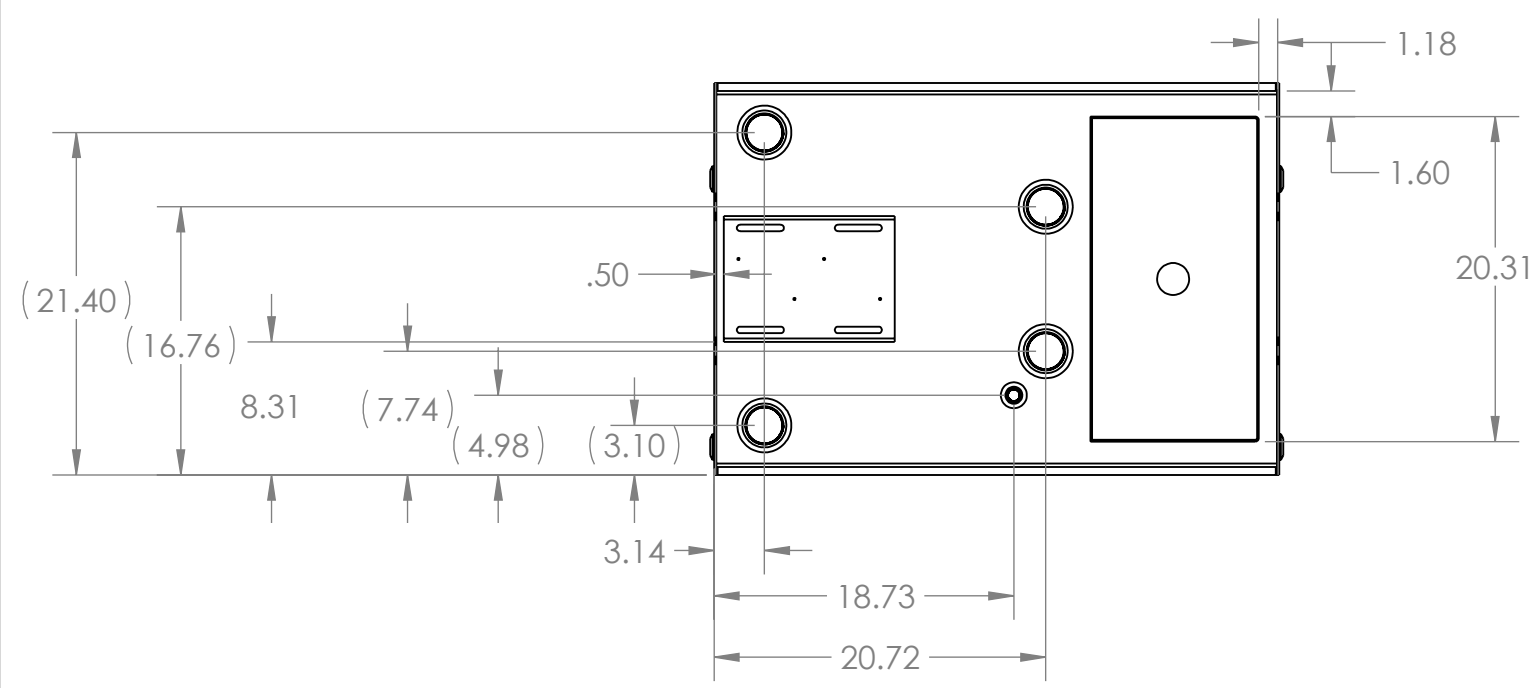


4

3

2

1



MATERIAL

	NAME	DATE
DRAWN BY	Nikko Weging	12/29/2021
CHECKED BY		

UNLESS OTHERWISE SPECIFIED:
DECIMAL: ANGULAR
X.XX ± .06 ± .5

DO NOT SCALE DRAWING

The information hereon is the confidential and proprietary property of Rock Energy Systems, LLC. Acceptance of this document indicates your understanding that all rights to this information are reserved by Rock Energy Systems, LLC and are disclosed in confidence. Any use, other than that expressly permitted, is prohibited.



TITLE:
**Weldment - RES 80
 Gallon**

SIZE	DWG. NO.	REV
B	81010730	
SCALE: 1:12	PRODUCT LINE	SHEET 4 OF 4

4

3

2

1

B

B

A

A